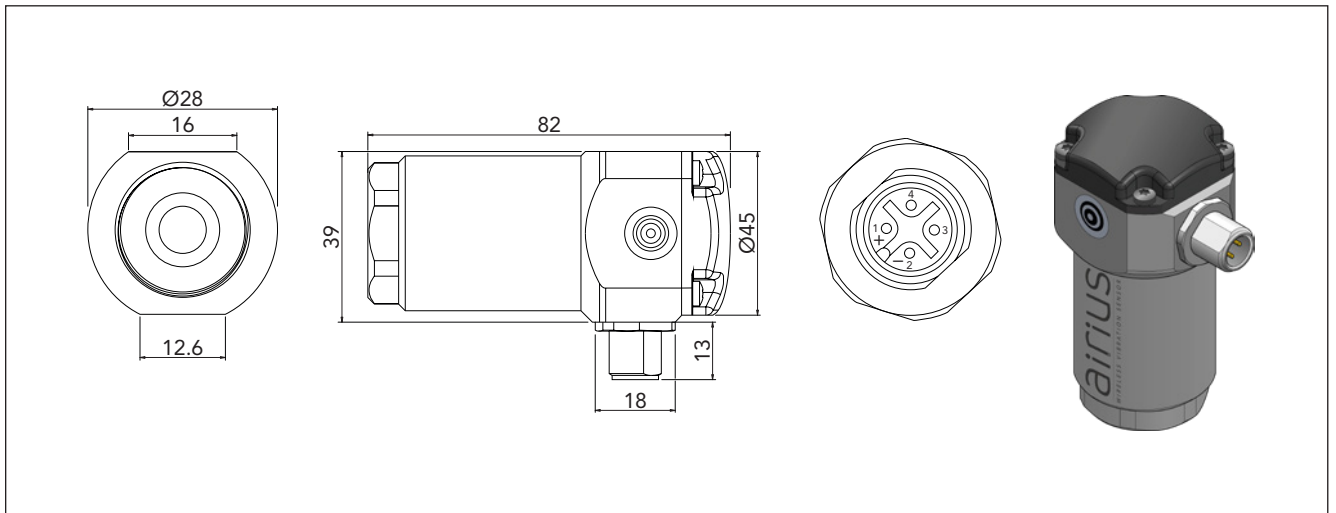


Airius – Wireless vibration sensor with external power



Airius is a wireless sensor that performs a user-defined number of vibration measurements per day in the 10-1000 Hz or the 2-1000/10-5000 Hz frequency range. The MEMS (micro-electro-mechanical-systems) type sensor with digital output measures triaxial vibration and temperature.

The vibration sensor is optimal for use on standard production equipment, such as pumps and fans. Airius provides warning of vibration-related problems, such as imbalance, misalignment, impeller and fan blade issues, resonance, and cavitation, as well as gear and bearing faults. The sensor is ideal wherever wireless transmission of vibration data is practical or a matter of safety, as in inaccessible machines or machines placed in hostile or risky environments.

Airius is compatible with both Condmaster.NET, the cloud-based application providing easy access to measurement data through a user-friendly interface, and the analysis and diagnostic software Condmaster Ruby.

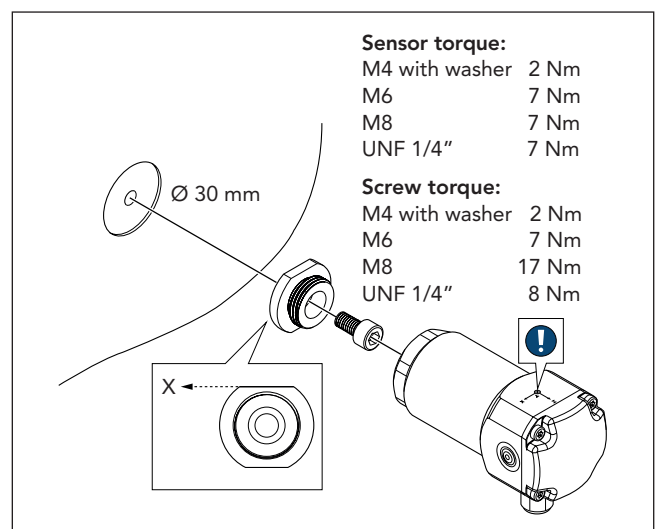
The SPM Connect app, downloadable for mobile devices, is used to configure the parameters required to connect to Condmaster Entity Server (CES) or SPM Cloud. The app allows you to

- search for Airius vibration sensors via Bluetooth
- verify server connection
- set up connection to Wi-Fi and CES/SPM Cloud.

The Airius sensor has a 4-pin M12 male connector for external power supply. For cables and connectors that fit Airius, see TD-384 and TD-540.

Technical specifications

Material:	housing; Stainless acid proof steel Sandvik Grade:1802, EN:1.4523, cover; polyamide
Weight:	approx. 185 g
Power supply:	24 V DC (23 to 25 V), 100 mA
Power rating:	1.2 W
Power connector:	4-pin M12 male connector
Frequency range:	10-1000 Hz or 2-1000/10-5000 Hz
Readings:	RMS, peak, peak-to-peak, crest, kurt, skew, temperature
Measurement range,	-40° to +85 °C (-40° to +185 °F)



Sensor torque:

M4 with washer	2 Nm
M6	7 Nm
M8	7 Nm
UNF 1/4"	7 Nm

Screw torque:

M4 with washer	2 Nm
M6	7 Nm
M8	17 Nm
UNF 1/4"	8 Nm

temperature:	(accuracy +/- 2 °C)
Spectrum lines:	400, 800, 1600 lines
Operating temperature:	-20° to +85 °C (-4° to +185 °F)
Storage temperature:	-40° to +120 °C (-40° to +248 °F)
Maximum altitude:	2000 m
Condition evaluation:	ISO10816 Part 2, 3, 4 >600 rpm
Protection class:	IP69
Relative humidity:	0 to 100% (non-condensing)
Wi-Fi:	802.11 b/g/n, 2.4 GHz
Wi-Fi Security:	WPA/WPA2 PSK/WPA2 Enterprise (PEAP-MSCHAPv2 and TTLS- MSCHAPv2 without certificates)
Bluetooth:	v4.2 BLE

Part numbers

AIR02-01	Airius sensor, 10-1000 Hz, 2/4/8 g
AIR02-10	Airius sensor, 2-1000 Hz, 10/20/40 g or 10-5000 Hz, 2/4/8/16 g

Accessories

18470	Installation kit (installation foot, M4 screw, M4 washer, M6 screw)
18471	Installation kit (installation foot, M8 screw)
18466	Installation foot, glue installation
18549	Power supply, Airius (incl. Europlug, angled 4-pin M12 female connector and 1.8 m cable)

Spare parts

18472	Cover kit (cover, gasket, 4xM3 screws)
-------	--

