

Source 3000

Portable Pneumatic Pressure Source



Please refer to price pages for part numbers.

A quick, accurate and portable pressure source, the new Source 3000 is designed for extended use wherever your job takes you.

Fully pneumatic, Source 3000 offers a clean, dry pressure source up to 3000 psi. It is equipped with a large-capacity nitrogen cylinder so you won't run out in the middle of a job, and eliminates the inconvenience and physical stress of hand pumps. It has two ports for connecting to a measuring device and virtually any electronic calibrator. For added convenience, the removable case allows Source 3000 to be positioned at different angles for easy operation in tight spaces.

Perfect for use in a variety of environments, Source 3000 delivers reliable, high-accuracy performance. This unique device incorporates a precision pressure vernier that allows you to dial in exact pressure readings, eliminating the risk of costly damage from overshoot. It's housed in an aluminum carrying case that provides lightweight portability as well as protection in industrial environments.

Source 3000...Providing a quick, convenient and lasting pressure source wherever you need it.

Applications

- Works with all major manufacturer's electronic pressure calibrators
- Truly portable pneumatic source to 3000 psi
- Nitrogen source for a full day of calibrating

Standard Features

- Self-contained nitrogen cylinder
- "Overpressure protection" regulator limits pressure to costly units under test
- Charge your internal nitrogen cylinder to 3000 psi with provided adapter fitting
- Two ports to connect to unit under test as well as a precision calibrator (works with all pressure calibrator models)
- Precisely dial into required pressures with patented valve assembly
- 15.2 cubic foot nitrogen at 3000 psi
- Aluminum carrying case
- Front panel gages inform operator of internal cylinder pressure level

INTERNAL PRESSURE CYLINDER:

15.2 cubic foot nitrogen at 3000 psig
 133 cubic inches, 3000 psig rating, 5000 psig test pressure,
 6061 aluminum material

STORAGE TEMPERATURE:

0°F to 185°F (-17.8°C to 85°C)

PRESSURE MEDIA:

Clean dry nitrogen or equal

PRESSURE REGULATOR:

3000 psig, single stage, self venting, non-bleed

PRESSURE GAGES:

(2) Two-inch diameter, 0-4000 psig

RUPTURE DISC:

3200 psig nominal, stainless steel outer case

PRESSURE FILTER:

20 micron nominal, field replaceable

CONTROL VALVES:

Orion 2C, micro-metering valve, replaceable soft seat,
 aluminum and stainless steel

PIPING:

All stainless steel, seamless

TEST PORTS:

(2) Two, 5000 psig rated 3000 psig operating, 300 series
 stainless steel

PRESSURE FITTINGS:

Input fitting: 1/4" 37° female AN swivel on one end and 1/8"
 NPT male on other, to go to customer in/out hose

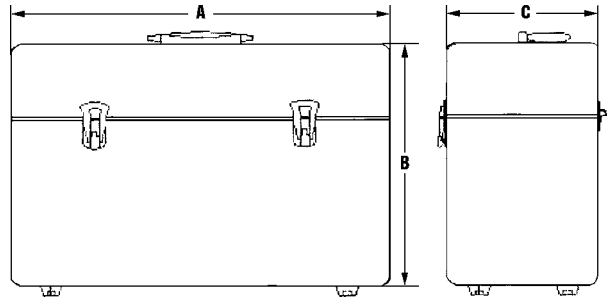
Output test ports: stainless steel quick disconnect on one end
 and 1/4" NPT female on other, to go to customer output hose

CASE:

All aluminum case with latched cover and handle

WEIGHT:

25 lb (9.07 kg)



DIMENSIONS

A = 18.0" (457.2mm) C = 7.2" (182.8mm)
 B = 11.5" (292.1mm)



35 Vantage Point Drive // Rochester, NY 14624 // Call 1.800.800.5001

