

# Laser Non-Contact/Contact Tachometers

**DT-205L (LCD)**

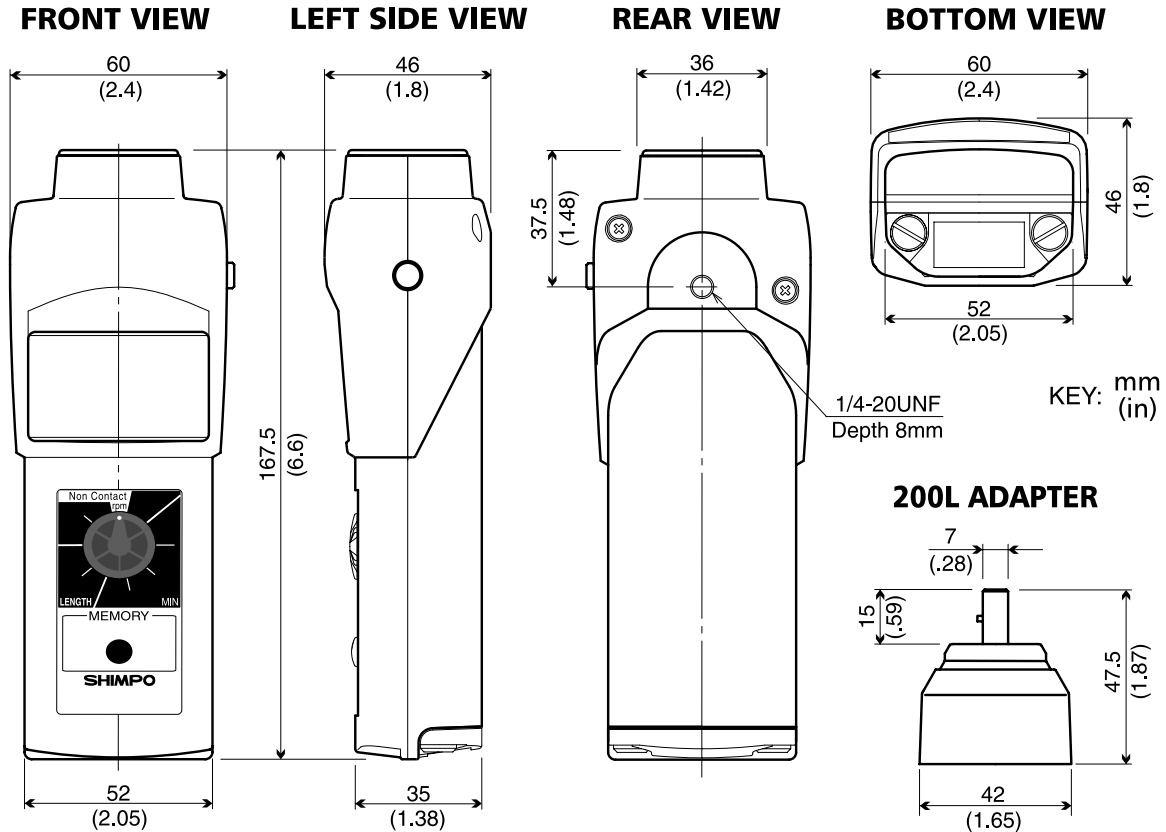
**DT-207L (LED)**

*A laser allows precise RPM measurement from 14 feet!*

Our new DT-205L and DT-207L tachometers incorporate laser technology yet retain our hallmark rugged construction and reliable quality components; both offer incredible value and versatility as they perform non-contact and contact applications via the included contact adapter. We're confident you'll agree that these fine units are the most advanced handheld tachometers on the market!

Features	Benefits
Sophisticated laser beam detection	Safely allows RPM detection in hard-to-reach or dangerous areas
Exceptional accuracy ( $\pm 0.0006\%$ of reading)	Assures reliable measurement results
Length and rate functions	Offer expanded measurement capabilities
Multi-mode speed selection	9 selections allow optimum versatility
Broad speed range (up to 99,999 RPM)	Covers a wide range of applications
Hardy aluminum construction	Assures maintenance-free performance for many years
Large 5 digit display	Numbers are easily readable
Expansive 10 test memory capacity (selectable to 5 minutes or more)	Stores last/min/max readings for thorough equipment/process inspection
Extended battery life (25 - 40 hours)	Advanced power management for longer operating times/increased productivity
Free N.I.S.T. certificate	Permits easy compliance with regulations
CE mark	Compliant with applicable EU directives





SPECIFICATIONS		
Model	DT-205L	DT-207L
Measuring Range	6 - 99,999 RPM	
Accuracy	±1 RPM : 6 - 8,300 RPM ±2 RPM : 8,300 - 25,000 RPM ±0.006 % of reading ±1 digit (or 2 RPM max.) : 25,000 - 99,999 RPM	
Display	5 digit 0.47" (12 mm) high LCD	5 digit 0.4" (10 mm) high LED
Measuring Units	RPM (on contact using adapter, included) For rate : YPM, mPM, FPM, IPM and length : YRD, m, FT, IN use 6" cir. wheel with 200L adapter	
Memory	13 readings are stored in memory and retained for 5 minutes (last, max., min. and 10 extra measurements)	
Display Update Time	1 second (typical)	
Detection	Laser diode	
System Control	Single-chip C-MOS microprocessor	
Over Range Indicator	Flashing numerals	
Voltage Requirement	2 AA 1.5 V batteries	
Low Battery Indicator	Flashing "LO BAT" display	"B" display
Auto Power Shut-Off	Yes	
Battery Life	40 hrs approx.	25 hrs approx.
Operating Temperature Range	32° - 113° F ( 0 - 45° C )	
Construction	Die-cast aluminum housing	
Weight	0.8 lb (365 g)	
Dimensions	6.6" L x 2.4" W x 1.8" H (167.5 mm x 60 mm x 46 mm)	
Warranty	1 year	
Standard Accessories	Reflective tape, cone adapter, carrying case, NIST certificate, 1 master wheel (6" cir.) and 200L adapter	