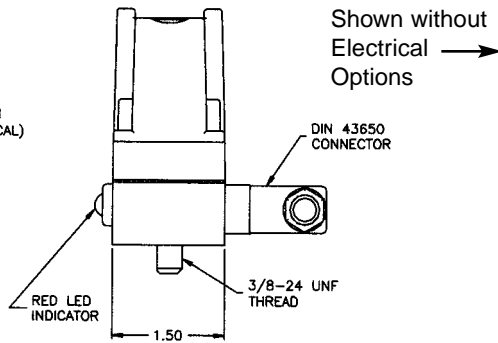
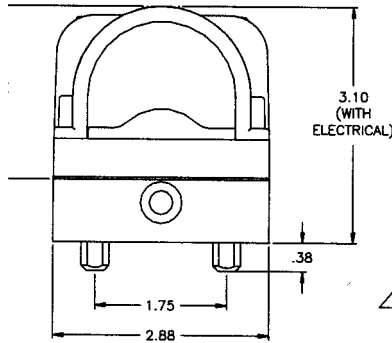
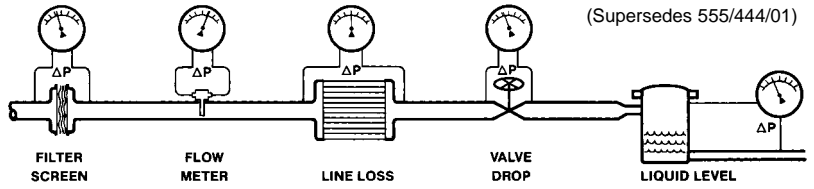


Mid-West[®] Instrument



MODEL 555 SERIES DIFFERENTIAL PRESSURE GAUGE

Differential Pressure Range	6 PSID at Green/Yellow Transition 10 PSID at Yellow/Red Transition	Other Options Possible
Leakage	None, Diaphragm Isolated Hi to Lo	
Pressure (Ratings) Max Working	300 PSIG	
Accuracy	± 5% of Rated Differential Pressure Range at Color Transitions	3 Color Dial: Green/Yellow/Red. Other Options Possible
Operating Temperature (Max.)	200°F (93°C)	
Body Material	Glass Filled Nylon (GFN)	
Wetted Internals	Stainless Steel, Ceramic, & GFN	
Elastomers	Buna-N	
Movement	Magnetic Piston and Follower Pointer	
Dial	Plastic Lens with 3 Color Dial	Other Options Possible
Electrical: (Optional)		
Switch (Resistive Load):	SPST	
Rating:	50 Watts, 0.45 Amps, 240 VAC/VDC	Maximum Ratings
Set Point Accuracy	TBD	
Hysteresis:	8% Nominal	
Indicator:		
Color & Size:	Red 8MM LED	Brightness varies with input voltage
Operational Voltage Range	24VAC/VDC through 240 VAC/VDC	
Process Connections:	3/8-24" Molded Bolts, 1.75" Spacings	
Electrical:	Electrical base can be rotated 180° prior to filter mounting	
Connections:	DIN 43650, 3 Contact Connector + Chassis Gnd 0.138 thru .236 Cable Gland Wire Entry	Includes mating connector
Environmental Rating:	IP 65 Protection Class (Mated)	
Wiring Connector Contacts:	<p>SPST: Normally Open</p>	Connect input power between contacts 1 & 2. Switch Output is connected to 3. For DC Input pin 1 must be of positive polarity with respect to pin 2