

DS-K1T671TM-3XF

Temperature Screening Terminal¹

Hikvision's DS-K1T671TM-3XF terminal is an access control device integrated with **HAT (High Accuracy Temperature)/EST (Elevated Skin Temperature)** screening. It can quickly measure skin-surface temperature and notify the user about abnormal readings. This product is perfect for many applications, including office buildings, transportation hubs, retail facilities, education centers, and many others.

Available Model: DS-K1T671TM-3XF

- Vanadium Oxide Uncooled Sensor Measures Target's Temperature
- Range: 86° to 113° F (30° to 45° C), Accuracy: ±0.5° C w/o Black Body Calibration
- Recognition Distance: 0.3 m to 2 m
- Fast Temp. Measurement Mode: Detects Face, Takes Skin-Surface Temp. w/o Identity Authentication
- Multiple Authentication Modes: Card/Temperature, Face/Temperature, Card/Face/Temperature, etc.
- Face Mask Detection: If Maskless Face Detected, Voice Reminder Prompt Sounds
 - Face Mask Alert: Authentication or Attendance Is Valid
 - Forced Mask Wearing Alert: Authentication or Attendance Fails
- Displays Temperature Measurement Results on Authentication Page
- Triggers Voice Prompt when Detecting Abnormal Temperature
- Configurable Door Status (Open/Close) when Detecting Abnormal Temperature
- Transmits Online and Offline Temperature Information to Client Software via TCP/IP Communication and Saves Data on Client Software
- Face Recognition Duration <0.2 s/User; Face Recognition Accuracy Rate ≥99%
- 50,000 Face Capacity, 50,000 Card Capacity, and 100,000 Event Capacity
- Suggested Height for Face Recognition: Between 1.4 m and 1.9 m
- Attendance Status: Check In, Check Out, Break In, Break Out, Overtime In, Overtime Out
- Watchdog Design and Tamper Function
- Audio Prompt for Authentication Result
- NTP, Manual Time Synchronization, and Auto Synchronization
- Connects to External Access Controller or Wiegand Card Reader via Wiegand Protocol
- Connects To Secure Door Control Unit via RS-485 Protocol To Avoid Door Opening if Terminal Destroyed
- Imports and Export Data to the Device from the Client Software



¹U.S.

Disclaimer: Hikvision USA Inc. products depicted herein are not FDA approved medical devices and are not intended for use in the diagnosis of disease or other conditions, or in the cure, mitigation, treatment, or prevention of disease. When configured correctly, the Hikvision products discussed herein can identify elevated human skin-surface temperature relative to a sample population.

Canada

Disclaimer: Hikvision's Thermographic Cameras are designed for immediate detection and preliminary screening of elevated skin-surface temperature in high-traffic areas. When measuring core body temperature, please verify through the use of clinical measurement devices and/or by consulting a medical professional. Hikvision's Thermographic Cameras must be used in accordance with local laws and regulations.

Notes

Biometric recognition products are not 100% applicable to anti-spoofing environments. If you require a higher security level, use multiple authentication modes.

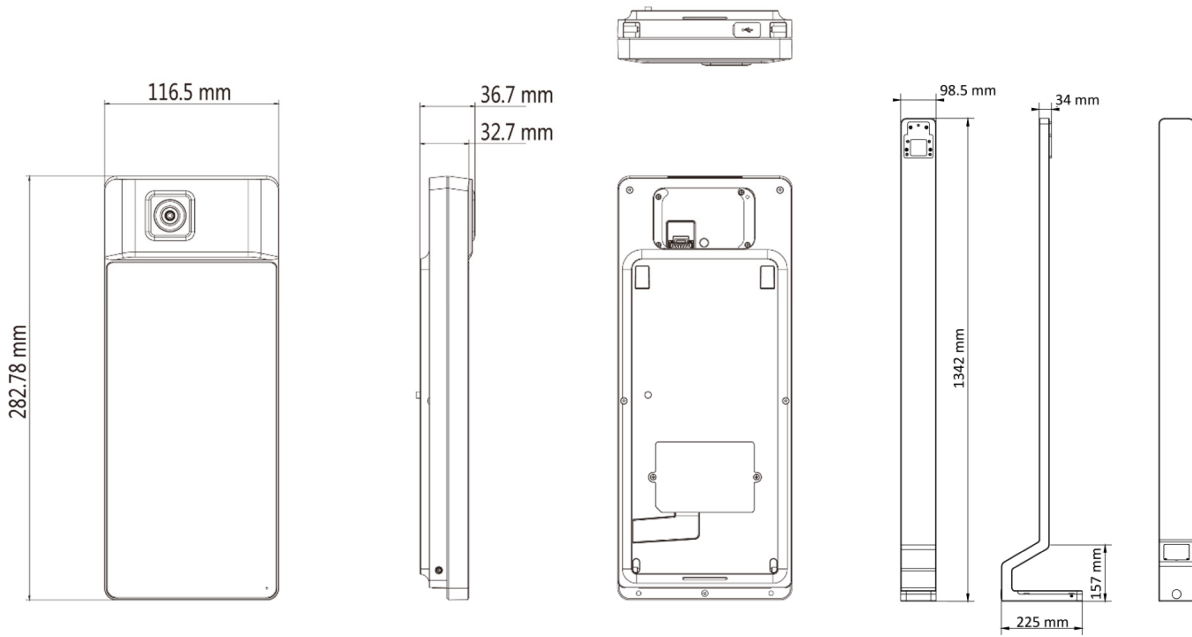
In order to get an accurate temperature reading, wait 90 minutes for the device to warm up after the device is powered on.

Specifications

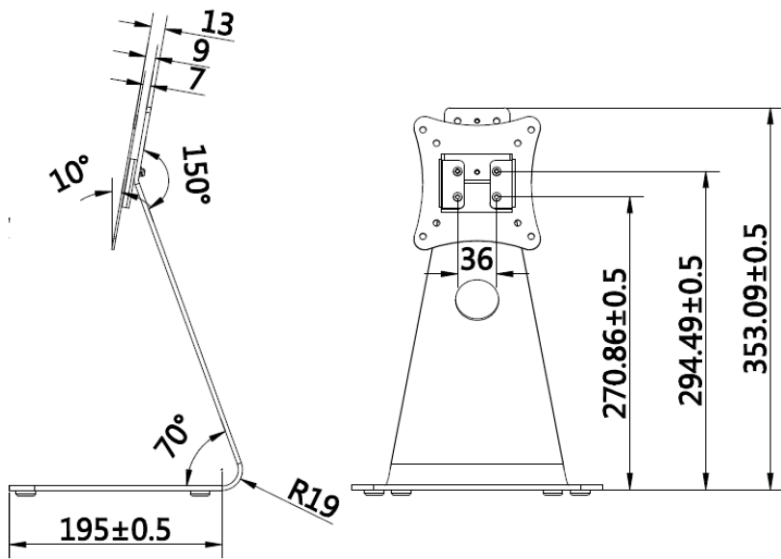
Model		DS-K1T671TM-3XF
Operating System		Linux
Temperature Measurement	Sensor	Vanadium oxide uncooled sensor
	Resolution	120 × 160
	Frame Rate	25 fps
	Temperature Range	86° to 113° F (30° to 45° C)
	Temperature Accuracy	±0.9° F (±0.5° C) without black body calibration
	Measuring Distance	0.98 ft to 6.5 ft (0.3 m to 2 m)
Screen	Screen	7 inch touch screen
	Ratio	16:9
	Resolution	1024 × 600
Camera		2 MP dual-lens camera, WDR
Indicator		Supported
Face	Recognition Mode	Face: 1:1 and 1:N
	Face Capacity	50,000
	Face Recognition Duration	<0.2 s per person
	Face Recognition Distance	0.98 ft to 6.5 ft (0.3 m to 2 m)
Card	Card Capacity	50,000
	Card Type	M1 card
	Card Presenting Duration	<1 s
	Card Presenting Distance	0" to 1.97" (0 cm to 5 cm)
Event Capacity		100,000
Interface		Network × 1, RS-485 × 1, Wiegand × 1, USB × 2, alarm output × 1, alarm input × 2, lock × 1, door contact × 1, exit button × 1, tamper × 1
Network		10/100/1000 Mbps self-adaptive
Tamper		Supported
Other	Working Voltage	12 VDC/2 A
		Power supply (DS-KP12V-3A): not included
	Working Temperature	32° to 122° F (0° to 50° C)
		For temperature measurement: 50° to 95° F (10° to 35° C)
	Working Humidity	10% to 90% (non-condensing)
	Application	Indoor
Application Environment	Indoor and windless environment use only	
Brackets	Wall mount (included)	
	Floor Stand (DS-KAB671-B): not included	
	Desk Stand (DS-DM0701BL): not included	

* **WARNING:** Do not expose the equipment to direct sunlight, low ventilation, or a heat source such as a heater or radiator (ignoring this warning can cause fire danger).

Dimensions



Floor Stand, DS-KAB671-B
(Not Included)



Desk Stand, DS-DM0701BL
(Not Included)