

Technical Information

RIA15

Loop-powered 4 to 20 mA process display unit with optional HART® communication



Compact process display unit with very low voltage drop for universal use to display 4 to 20 mA/HART® signals

Application

- Display of 4 to 20 mA measured values or optionally up to four of a sensor's HART® process variables in all industries
- Use as primary or secondary HART® master
- Panel-mount housing or field housing as local display
- Scalable display value

Your benefits

- No external power supply required
- Voltage drop ≤ 1 V (HART® ≤ 1.9 V)
- 5-digit measured value display with 17 mm (0.67 in) digit height with dimension and bar graph; background lighting can be activated
- Minimal installation depth
- Easy 3-key operation for configuring the device
- International approvals
ATEX, IECEx, FM, CSA
- SIL interference freeness acc. to EN 61508
- GL marine approval

HIGHLY CONFIGURABLE - Let Transcat Help build your Endress+Hauser Instrument

Call: **1.800.828.1470** or email **sales@transcat.com**

TRANSCAT[®]
Trust in every measure

Visit us at Transcat.com 

Endress+Hauser 
People for Process Automation

Function and system design

Measuring principle

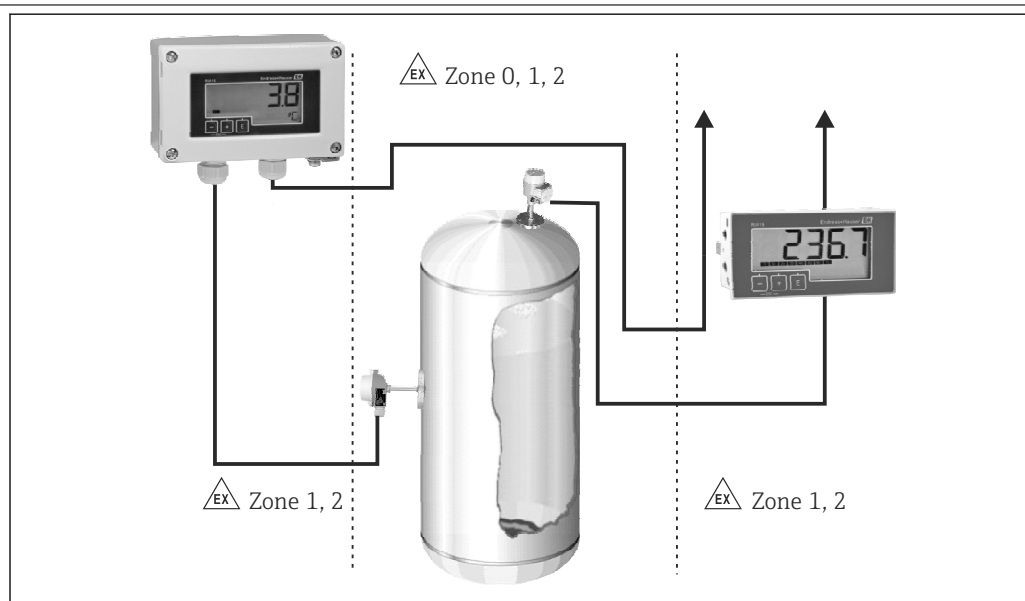
The RIA15 process display unit is integrated in the 4 to 20 mA or HART® loop and transmits the measuring signal or HART® process variables in digital form. The process display unit does not require an external power supply. It is powered directly from the current loop.

The device meets the requirements of the HART® Communication Protocol Specifications and can be used with devices with HART® Revision ≥ 5.0 .

The LC display is easy to read even in bright sunlight and enables 5-digit, scalable measured value display. In addition to measured value display, the associated value dimension and a bar graph can be easily configured with simple 3-key operation.

The device can also be operated with backlighting where necessary. In such cases pay attention to the higher voltage drop.

Measuring system



A0018915-EN

1 RIA15 as field and panel display

Input

Voltage drop	
Standard device with 4 to 20 mA communication	≤ 1.0 V
Device with HART® communication	≤ 1.9 V
Display lighting	additionally 2.9 V

HART® input impedance	
Rx =	40 k Ω
Cx =	2.3 nF

Measured variable

The input variable is either the 4 to 20 mA current signal or the HART® signal. HART® signals are not affected.

Measuring range

4 to 20 mA (scalable, reverse polarity protection)
Max. input current 200 mA

Power supply

Terminal assignment



NOTICE

SELV / Class 2 device

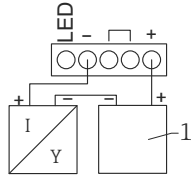
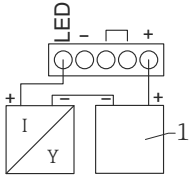
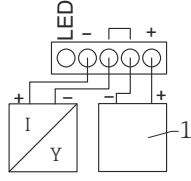
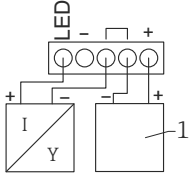
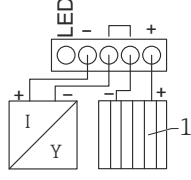
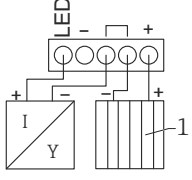
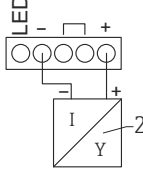
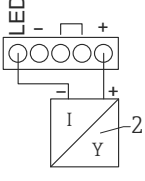
- ▶ The device may only be powered by a power unit with an energy-limited circuit in accordance with IEC 61010-1: 'SELV or Class 2 circuit'.

Device destroyed if current too high

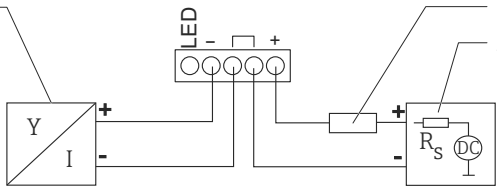
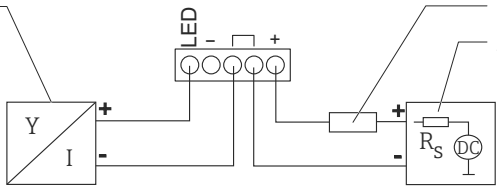
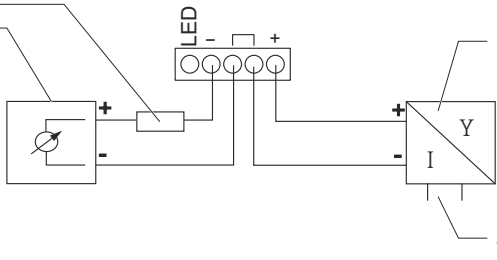
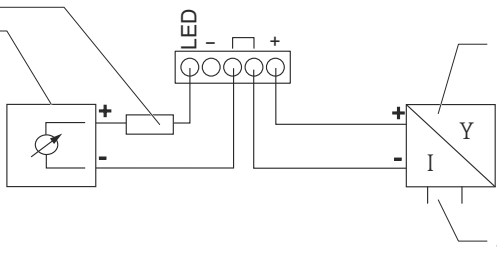
- ▶ Do not operate the device at a voltage source without a current limiter. Instead, operate the device only in the current loop with a transmitter.

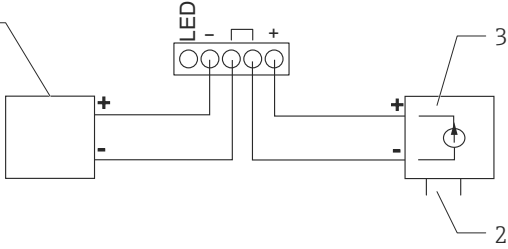
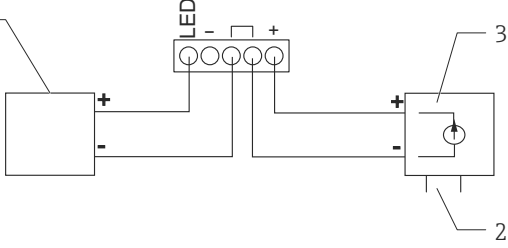
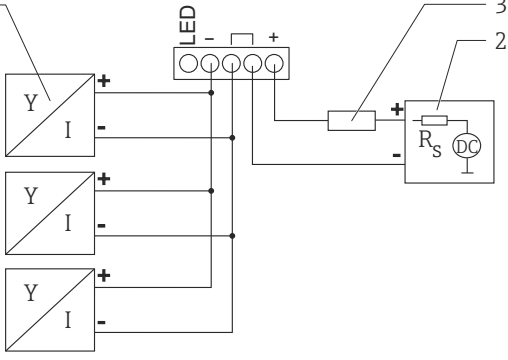
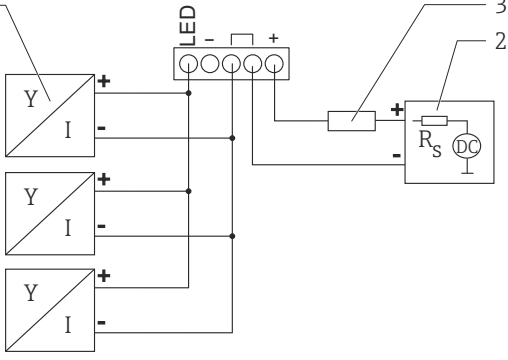
Terminal	Description
+	Positive connection, current measurement
-	Negative connection, current measurement (without backlighting)
LED	Negative connection, current measurement (with backlighting)
	Auxiliary terminals (electrically connected internally)
	Functional grounding: <ul style="list-style-type: none"> ▪ Panel-mounted device: Terminal on the rear of the housing ▪ Field device: Terminal in the housing

Connection 4 to 20 mA

	Connection without backlighting	Connection with backlighting
Connection with transmitter power supply and transmitter	 <p style="text-align: right; font-size: small;">A0017704</p> <p>1 Transmitter power supply</p>	 <p style="text-align: right; font-size: small;">A0017705</p> <p>1 Transmitter power supply</p>
Connection with transmitter power supply and transmitter using the auxiliary terminal	 <p style="text-align: right; font-size: small;">A0017706</p> <p>1 Transmitter power supply</p>	 <p style="text-align: right; font-size: small;">A0017707</p> <p>1 Transmitter power supply</p>
Connection with PLC and transmitter	 <p style="text-align: right; font-size: small;">A0019720</p> <p>1 PLC</p>	 <p style="text-align: right; font-size: small;">A0019721</p> <p>1 PLC</p>
Connection without transmitter power supply directly in the 4 to 20 mA circuit	 <p style="text-align: right; font-size: small;">A0017708</p> <p>2 4 to 20 mA power source</p>	 <p style="text-align: right; font-size: small;">A0017709</p> <p>2 4 to 20 mA power source</p>

HART® connection

	Circuit diagram / Description
<p>2-wire sensor with process display unit and loop power supply, without backlighting</p>	 <p>1 Sensor 2 Power supply 3 HART® resistance</p> <p style="text-align: right;">A0019567</p>
<p>2-wire sensor with process display unit and loop power supply, with backlighting</p>	 <p>1 Sensor 2 Power supply 3 HART® resistance</p> <p style="text-align: right;">A0019568</p>
<p>4-wire sensor with process display unit and loop power supply, without backlighting</p>	 <p>1 HART® resistance 2 Current meter 3 Sensor 4 Power supply</p> <p style="text-align: right;">A0019570</p>
<p>4-wire sensor with process display unit and loop power supply, with backlighting</p>	 <p>1 HART® resistance 2 Current meter 3 Sensor 4 Power supply</p> <p style="text-align: right;">A0019571</p>

	Circuit diagram / Description
<p>Current output with process display unit and actor (e.g. actuator valve), without backlighting</p>	 <p>1 Actor 2 Power supply 3 Current output</p>
<p>Current output with process display unit and actor (e.g. actuator valve), with backlighting</p>	 <p>1 Actor 2 Power supply 3 Current output</p>
<p>Multi-drop 2-wire sensors with process display unit and loop power supply</p>	 <p>1 Sensors 2 Power supply 3 HART® resistance</p>
<p>Multidrop 2-wire sensors with process display unit and loop power supply, with backlighting</p>	 <p>1 Sensors 2 Power supply 3 HART® resistance</p>

Circuit diagram / Description	
<p>2-wire sensor with process display unit and active barrier RN221N as loop power supply</p>	<p>1 Sensor 2 HART® primary master 3 HART® resistance</p> <p style="text-align: right;">A0019576</p>

i The HART® communication resistor of 230 Ω in the signal line is always necessary in the case of a low-impedance power supply. It must be installed between the power supply and the display unit.

A HART® communication resistance module is available as an accessory (→ 12).

Connection with optional HART® communication resistance module

Wiring / Description	
<p>2-wire sensor with process display unit and loop power supply, without backlighting</p>	<p>1 HART® communication resistance module 2 Sensor 3 Power supply</p> <p style="text-align: right;">A0020839</p>
<p>2-wire sensor with process display unit and loop power supply, with backlighting</p>	<p>1 HART® communication resistance module 2 Sensor 3 Power supply</p> <p style="text-align: right;">A0020840</p>

Wiring / Description	
<p>4-wire sensor with process display unit and loop power supply, without backlighting</p>	<p>1 HART® communication resistance module 2 Power supply 4-wire device 3 Sensor</p> <p style="text-align: right;">A0020837</p>
<p>4-wire sensor with process display unit and loop power supply, with backlighting</p>	<p>1 HART® communication resistance module 2 Power supply 4-wire device 3 Sensor</p> <p style="text-align: right;">A0020838</p>

Supply voltage

The display unit is loop-powered and does not require any external power supply. The voltage drop is ≤ 1 V in the standard version with 4 to 20 mA communication, ≤ 1.9 V with HART® communication and an additional 2.9 V if display lighting is used.

Performance characteristics

Reference operating conditions

Reference temperature $25\text{ °C} \pm 5\text{ °C}$ ($77\text{ °F} \pm 9\text{ °F}$)
Humidity 20 to 60 % relative humidity

Maximum measured error

Input	Range	Measured error of measuring range
Current	4 to 20 mA Over range up to 22 mA	$\pm 0.1\%$

Resolution

Signal resolution > 13 bit

Influence of ambient temperature

$< 0.02\%/\text{K}$ ($0.01\%/\text{°F}$) of measuring range


Warm-up period

10 minutes

Installation

Mounting location	Panel housing
	The device is designed for use in a panel. Required panel cutout 45x92 mm (1.77x3.62 in)
	Field housing
	The field housing version is designed for use in the field. The unit is mounted directly on a wall, or on a pipe with a diameter of up to 2 " with the aid of an optional mounting bracket. An optional weather protection cover protects the device from the effects of weather conditions.
Orientation	Panel housing
	The orientation is horizontal.
	Field housing
	The device must be mounted in such a way that the cable entries point downwards.

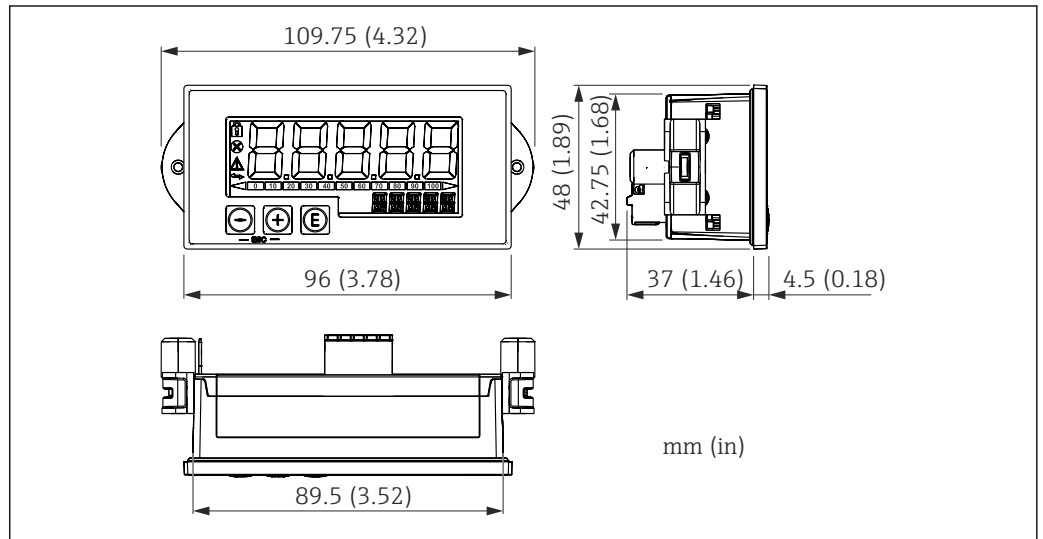
Environment

Ambient temperature range	-40 to 60 °C (-40 to 140 °F)
	 At temperatures below -25 °C (-13 °F) the readability of the display can no longer be guaranteed.
Storage temperature	-40 to 85 °C (-40 to 185 °F)
Climate class	IEC 60654-1, Class B2
Altitude	Up to 5 000 m (16 400 ft) above MSL in accordance with IEC61010-1
Degree of protection	Panel housing
	IP65 at front, IP20 at rear
	Field housing
	IP66, NEMA4x (aluminum housing)
Electromagnetic compatibility	<ul style="list-style-type: none"> ▪ Interference immunity: As per IEC61326 (Industrial Environments) / NAMUR NE 21 Maximum measured error < 1 % of MR ▪ Interference emission: As per IEC61326, Class B
Electrical safety	Class III, overvoltage protection category II, pollution degree 2

Mechanical construction

Design, dimensions

Panel-mount housing

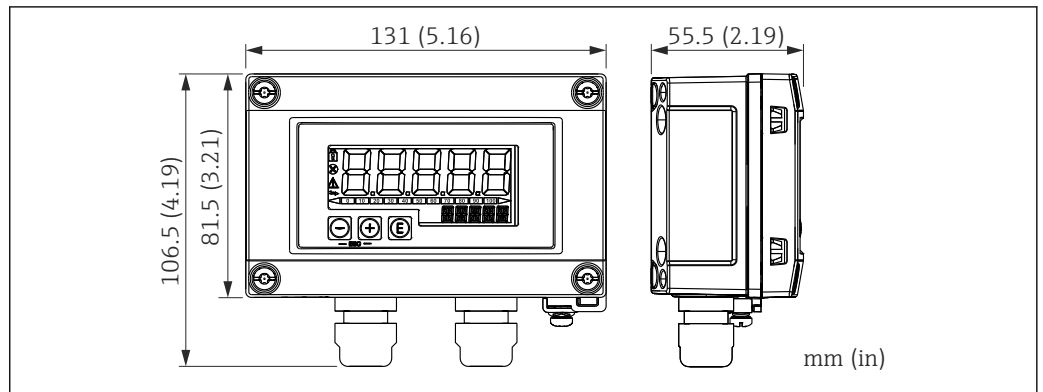


2 Dimensions of the panel housing

A0017721

Required panel cutout 45x92 mm (1.77x3.62 in), max. panel thickness 13 mm (0.51 in).

Field housing



3 Dimensions of the field housing incl. cable glands (M16)

A0017722

Weight

Panel-mount housing

115 g (0.25 lb.)

Field housing

- Aluminum: 520 g (1.15 lb)
- Plastic: 300 g (0.66 lb)

Materials

Panel-mount housing

Front: aluminum

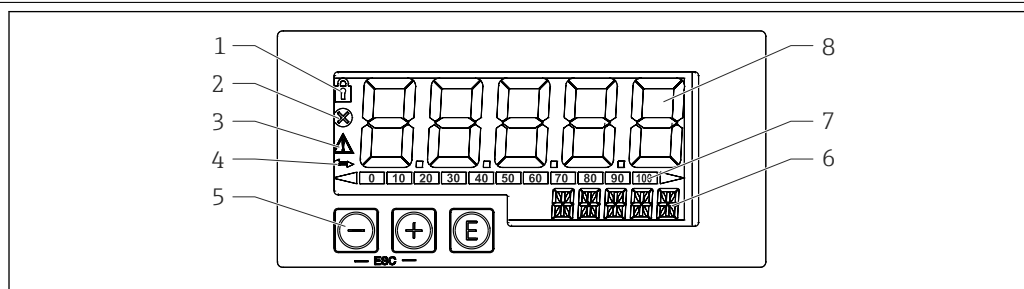
Rear panel: polycarbonate PC

Field housing

Aluminum or plastic (PBT with steel fibers, antistatic)

Operability

Local operation






A0017719

 4 *Display and operating elements of the process display unit*

- 1 *Symbol: operating menu disabled*
- 2 *Symbol: error*
- 3 *Symbol: warning*
- 4 *Symbol: Communication active (only for HART® option)*
- 5 *Operating keys "-", "+", "E"*
- 6 *14-segment display for unit/TAG*
- 7 *Bar graph with indicators for under range and over range*
- 8 *5-digit 7-segment display for measured value, digit height 17 mm (0.67 in), display range -19999 to 99999*

The device is operated with the 3 operating keys on the front of the housing. The device setup can be disabled with a 4-digit user code. If the setup is disabled, a padlock symbol appears on the display when an operating parameter is selected.

 <small>A0017716</small>	Enter key; calling up the operating menu, confirming the option/setting parameters in the operating menu
 <small>A0017714</small>	Selecting and setting values in the operating menu; pressing the - and + keys simultaneously takes the user back up a menu level. The configured value is not saved (ESC)
 <small>A0017715</small>	

Certificates and approvals

CE mark	The measuring system meets the legal requirements of the EU Directives. Endress+Hauser confirms that the device has been successfully tested by applying the CE mark.
Ex approval	Information about currently available Ex versions (ATEX, FM, CSA, etc.) can be supplied by your E+H Sales Center on request. All explosion protection data are given in a separate documentation which is available upon request.
Functional safety	SIL interference freeness according to EN61508 (optional)
Marine approval	GL marine approval (optional)
HART® communication	The display unit is registered by the HART® Communication Foundation. The device meets the requirements of the HART® Communication Protocol Specifications, May 2008, Revision 7.1. This version is downwards compatible with all sensors/actuators with HART® versions ≥ 5.0.

Other standards and guidelines

- IEC 60529:
Degrees of protection provided by enclosures (IP code)
- IEC 61010-1: 2010 cor 2011
Safety requirements for electrical equipment for measurement, control and laboratory use
- IEC 61326 series:
Electromagnetic compatibility (EMC requirements)
- NAMUR NE21, NE43
Association for Standards for Control and Regulation in the Chemical Industry

Ordering information

Detailed ordering information is available from the following sources:

- In the Product Configurator on the Endress+Hauser web site: www.endress.com → Choose your country → Products → Select measuring technology, software or components → Select product (picklists: measurement method, product family etc.) → Device support (right-hand column): Configure the selected product → The Product Configurator for the selected product is opened.
- From your Endress+Hauser Sales Center: www.addresses.endress.com

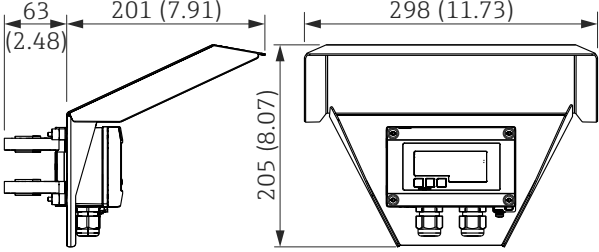
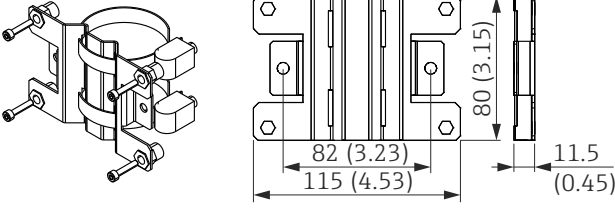
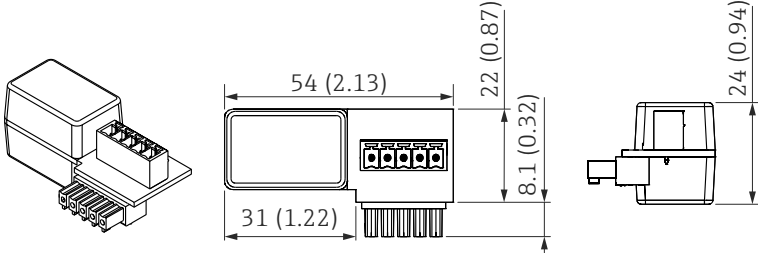
**Product Configurator - the tool for individual product configuration**

- Up-to-the-minute configuration data
- Depending on the device: Direct input of measuring point-specific information such as measuring range or operating language
- Automatic verification of exclusion criteria
- Automatic creation of the order code and its breakdown in PDF or Excel output format
- Ability to order directly in the Endress+Hauser Online Shop

Accessories

Various accessories, which can be ordered with the device or subsequently from Endress+Hauser, are available for the device. Detailed information on the order code in question is available from your local Endress+Hauser sales center or on the product page of the Endress+Hauser website: www.endress.com.

Device-specific accessories

Protective cover	 <p>5 Dimensions of the protective cover, dimension unit mm (in)</p> <p>A0017731</p>
Mounting kit for wall/pipe mounting	 <p>6 Dimensions of the mounting bracket, dimension unit mm (in)</p> <p>A0017801</p>
HART® communication resistance module	 <p>7 Dimensions of the communication resistance module, dimension unit mm (in)</p> <p>A0020858</p>

Documentation

- System Components and Data Managers - Solutions for the loop: FA00016K/09
- Operating instructions Process display unit RIA15: BA01073K/09
Operating instructions Process display unit RIA15 with HART® communication: BA01170K/09
- Ex Safety Instructions:
ATEX/IEC II2(1)G Ex ia IIC T6: XA01028R/09



www.addresses.endress.com
