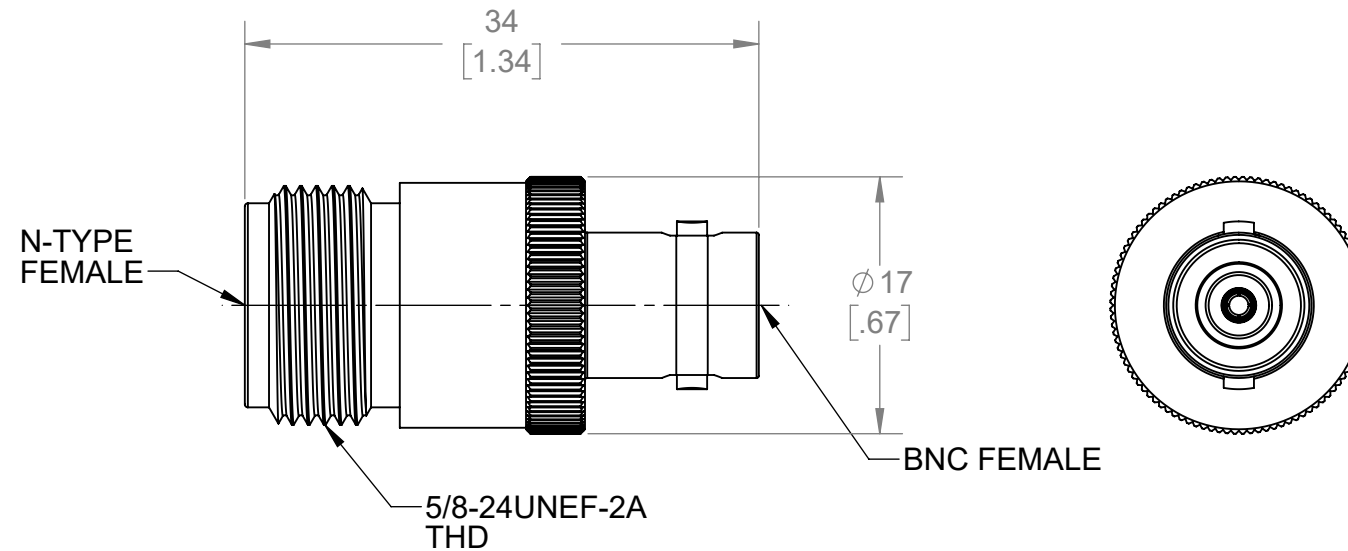


THIS IS ISSUED IN STRICT CONFIDENCE THAT IT IS NOT USED AS A BASIS FOR MANUFACTURE OR SALE AND THAT IT IS NOT COPIED, REPRINTED OR DISCLOSED TO A THIRD PARTY EITHER WHOLLY OR IN PART WITHOUT THE PRIOR WRITTEN CONSENT OF CAL TEST ELECTRONICS, INC.

REVISIONS			
REV.	DESCRIPTION	DATE	APPROVED
A	INITIAL RELEASE	7/1/2021	B. HANSEN

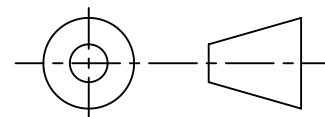
**NOTES:**

- ALL SPECIFICATIONS SUBJECT TO CHANGE WITHOUT NOTICE.
- ADAPTER TO MEET OR EXCEED ALL SPECIFICATIONS PER MIL-39012.
- MATING DIMENSIONS IN ACCORDANCE WITH MIL-STD-348.
- VSWR AND FREQUENCY RANGE SPECIFICATIONS ARE FOR REFERENCE AND ARE DEPENDANT ON CABLE TYPE AND OTHER APPLICATION SPECIFIC CONDITIONS.
- MATERIAL:
  - BODY: BRASS, WHITE BRONZE PLATED.
  - CENTER CONTACT: BeCu, GOLD PLATED
  - DIELECTRIC: PTFE
- ELECTRICAL:
  - IMPEDANCE: 50 Ω
  - FREQUENCY: DC - 4 GHz
  - INSERTION LOSS: 0.2 dB
  - INSULATION RESISTANCE: 5,000 MΩ MIN
  - DIELECTRIC WITHSTANDING VOLTAGE: 1,000 V MAX @ SEA LEVEL
  - VSWR: ≤1.20:1 @ 4 GHz
- MECHANICAL:
  - TEMPERATURE RANGE: -55°C TO +155°C
- COUNTRY OF ORIGIN: CHINA
- RoHS AND REACH COMPLIANT.



**ISOMETRIC VIEW**  
FULL SCALE

**THIRD ANGLE PROJECTION**



REFERENCE

CT3348A	BETWEEN-SERIES	IN LINE
MODEL NUMBER	CONFIGURATION	NOTES / REFERENCE

**PART NUMBER TABLE**

UNLESS OTHERWISE SPECIFIED DIMENSIONS ARE IN MILLIMETERS TOLERANCES ARE: X.X = ±0.5 X.X* = ±0.5* X.XX = ±0.25 X.XXX = ±0.125 DO NOT SCALE DRAWING	PROJECT NO. <b>A598</b>		<b>METRIC</b>	<b>Cal Test</b> ELECTRONICS	22820 Savi Ranch Prky. Yorba Linda, CA 92887 USA				
	APPROVALS	DATE			TITLE <b>ADAPTER, BNC FEMALE TO N-TYPE FEMALE, 50 Ω, INSTRUMENT GRADE</b>				
MATERIAL SEE NOTES	DRAWN WDH	7/1/2021	ENGR. B. HANSEN		7/1/2021	SIZE <b>B</b>	CAGE CODE <b>43F45</b>	DWG. NO. <b>CT3348A</b>	REV. <b>A</b>
TREATMENT N/A	CHECKER	DESIGN ACTIVITY	SCALE <b>2:1</b>		SHEET <b>1 OF 1</b>				
FINISH SEE NOTES									