

# Ultimate Miniature Size Connector With Integral Cable Clamp Cap

Glass Filled Nylon Range -29 to 220°C (-20 to 425°F)

## SMPW-CC Series



- ✓ Integral Cap+Cable Clamp
- ✓ Strain Relief With Grommet
- ✓ Captive Cover Screws
- ✓ Captive Clamp Screws
- ✓ Accepts Stranded or Solid Wire as Small as 40 AWG Up to 20 AWG, or Overbraid, TWSH, Armored Up to 5.5 mm (0.22") OD
- ✓ Contact Washers for Quick Connect Wire Termination
  - Use Straight Wire
  - No Wire Loop Required
- ✓ Internal Wire Divider
- ✓ Write-On Window
- ✓ Combination Phillips/Slot Screws
- ✓ 100% Top Side Assembly

**Incredible Labor Saver!  
No Loose Screws, All  
Cover Screws Are  
Captive!**

Terminate straight wire,  
wire loop not necessary.

Back plate 1/8" supplied  
adjustable to hold  
40 AWG to 5.5 mm  
(0.22") OD.

Grommets included,  
visit [omega.com](http://omega.com) for  
grommet options.

Contact  
washers.

All screws are  
combination head.

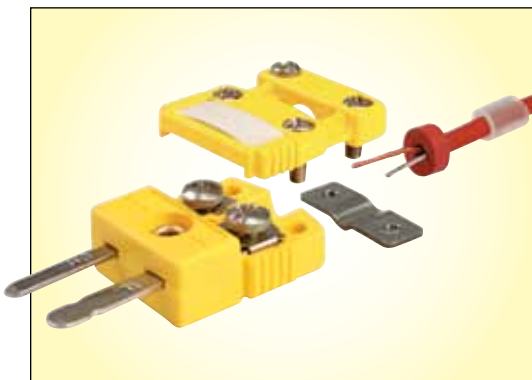
SMPW-CC-K-M shown  
larger than actual size.

Actual size.

SMPW-CC-K-F  
shown  
larger than  
actual size.

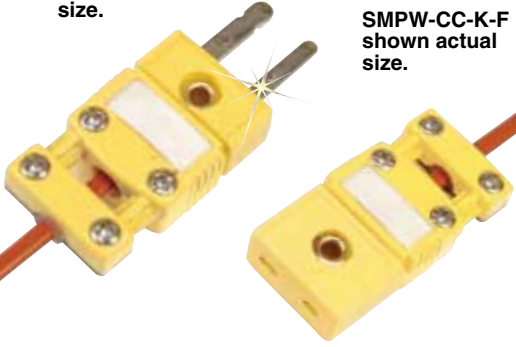
**Side Load  
Equal to  
Stainless Steel**

**Reduce Assembly  
Time From 3 Minutes  
to Less Than  
1 Minute!**



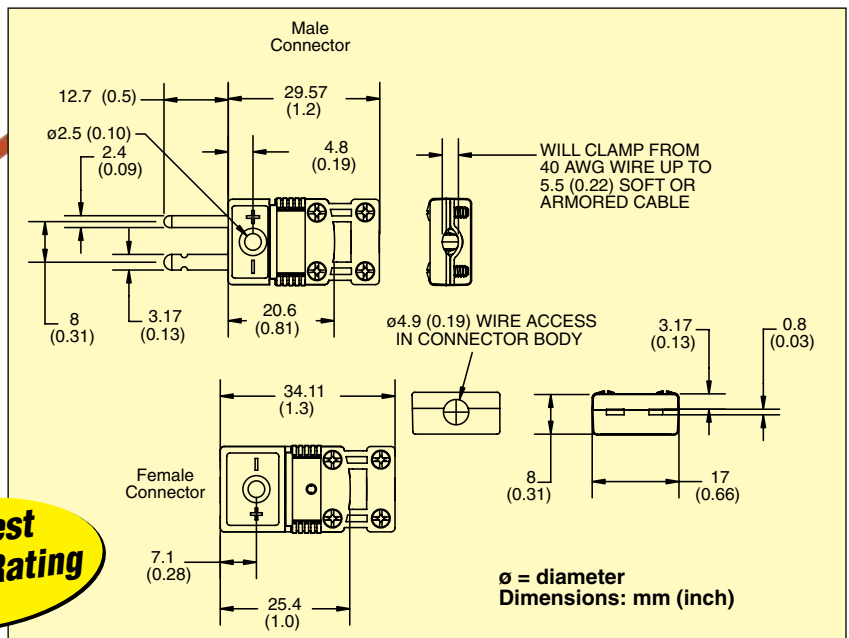
SMPW-CC-K-M shown actual size.

SMPW-CC-K-F shown actual size.



Discount Schedule	
1-10 .....	Net
11-49 .....	5%
50-99 .....	10%
100-999 .....	15%
1000-4999 .....	20%
5000 and over.....	25%

**Pull Test Highest Rating**



**To Order Visit [omega.com/smpw-cc](http://omega.com/smpw-cc) for Pricing and Details**

Alloy Code	Compensating Alloy Used in Connector		ANSI Color Code	Glass-Filled Nylon Model Number	
	(+)	(-)		Male	Female
<b>K</b>	CHROMEGLA	ALOMEGA	Yellow	<b>SMPW-CC-K-M</b>	<b>SMPW-CC-K-F</b>
<b>T</b>	Copper	Constantan	Blue	<b>SMPW-CC-T-M</b>	<b>SMPW-CC-T-F</b>
<b>J</b>	Iron	Constantan	Black	<b>SMPW-CC-J-M</b>	<b>SMPW-CC-J-F</b>
<b>E</b>	CHROMEGLA	Constantan	Purple	<b>SMPW-CC-E-M</b>	<b>SMPW-CC-E-F</b>
<b>R/S</b>	Copper	RNX/SNX	Green	<b>SMPW-CC-R/S-M</b>	<b>SMPW-CC-R/S-F</b>
<b>C</b>	CPX	CNX	Red	<b>SMPW-CC-C-M</b>	<b>SMPW-CC-C-F</b>
<b>U</b>	Copper	Copper	White	<b>SMPW-CC-U-M</b>	<b>SMPW-CC-U-F</b>
<b>N</b>	OMEGA-P	OMEGA-N	Orange	<b>SMPW-CC-N-M</b>	<b>SMPW-CC-N-F</b>

\*To order a pair: Replace suffix "M" with "MF" for a connector pair.  
**Ordering Example:** SMPW-CC-K-M clamp cap, Type K, flat pin male.

**Quick Assembly Tool!**

SMP-CC-TOOL shown smaller than actual size.

