

QUICK DISCONNECT TEMPERATURE PROBES AND ACCESSORIES

MODEL TMP - QUICK DISCONNECT TEMPERATURE PROBES



- *MATING FEMALE CONNECTOR (with "write on label") AND PLCM CABLE CLAMP WITH LOCKING CLIP INCLUDED WITH MINIATURE AND STANDARD SIZE PROBES*
- *CHOICE OF 304 SS, INCONEL 600 OR XL SHEATH*
- *XL HIGH TEMPERATURE PROBE AVAILABLE*
- *MEETS OR EXCEEDS SLE AND EN 60584-2: TOLERANCE CLASS 1*
- *COLOR CODED CONNECTOR BODY*
- *WIRE SOLD SEPARATELY*

GENERAL DESCRIPTION

Model TMP Quick Disconnect Thermocouples are available with both miniature and standard size connector termination. These rugged probes feature a variety of calibration types, sheath materials and diameters, and are available with an ungrounded junction. A high temperature probe is also available that can be mated with a standard female universal connector. All temperature probes are rated at the tolerance standard SLE, (Special Limits Of Error), which is ± 2 °C degrees of error.

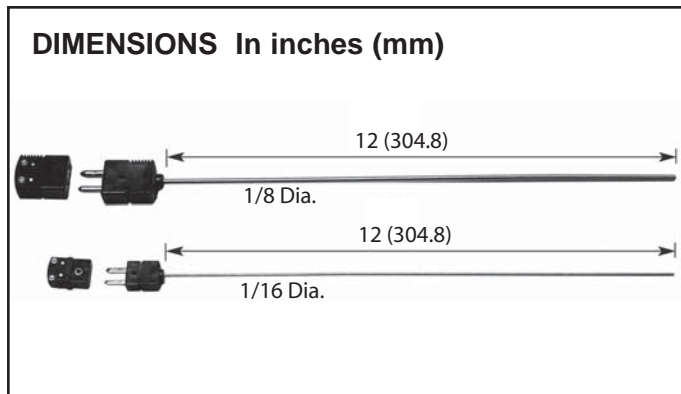
SPECIFICATIONS

1. **SHEATH:** Constructed of 304 stainless steel, Inconel 600, or XL (High Temperature Probe only)
2. **SHEATH DIAMETER:** 1/16" or 1/8"
3. **PROBE LENGTH:** 12" Ungrounded junction.
4. **CONNECTOR BODY:** Glass Filled Nylon, rated to 220 °C.
5. **WIRE:** Sold separately, see accessory details

ORDERING INFORMATION

| DESCRIPTION | ANSI TYPE TC | SHEATH MATERIAL | SHEATH DIAMETER INCHES | PART NUMBER |
|---|--------------|-----------------|------------------------|-------------|
| MINI QUICK DISCONNECT TC PROBE W/ MOLDED CONN | J | 304SS | 1/16 | TMPJQD01 |
| | K | 304SS | 1/16 | TMPKQD01 |
| | T | 304SS | 1/16 | TMPTQD01 |
| | E | 304SS | 1/16 | TMPEQD01 |
| | J | INCONEL 600 | 1/16 | TMPJQD02 |
| | K | INCONEL 600 | 1/16 | TMPKQD02 |
| | T | INCONEL 600 | 1/16 | TMPTQD02 |
| | E | INCONEL 600 | 1/16 | TMPEQD02 |
| STANDARD QUICK DISCONNECT TC PROBE W/ MOLDED CONN | J | 304SS | 1/8 | TMPJQD03 |
| | K | 304SS | 1/8 | TMPKQD03 |
| | T | 304SS | 1/8 | TMPTQD03 |
| | E | 304SS | 1/8 | TMPEQD03 |
| | J | INCONEL 600 | 1/8 | TMPJQD04 |
| | K | INCONEL 600 | 1/8 | TMPKQD04 |
| | T | INCONEL 600 | 1/8 | TMPTQD04 |
| | E | INCONEL 600 | 1/8 | TMPEQD04 |
| | K | XL | 1/8 | *TMPKQD05 |

* XL probes have a very low drift and are for use in high temperature applications up to 1335 °C.



WIRING

MODEL TMWS - THERMOCOUPLE WIRE

GENERAL DESCRIPTION

Thermocouple wire is for use with the Mini and Standard Quick Disconnect Temperature Probes. It is available in a variety of insulation and calibration types, and spool lengths.



SPECIFICATIONS

1. **WIRE LENGTH:** 25 or 100 Foot Spools
2. **INSULATION:** Duplex Insulated
3. **TYPE:** 24 AWG Solid Wire
4. **COLOR CODE:** ANSI color codes

| ANSI TYPE | POSITIVE | NEGATIVE | JACKET |
|-----------|----------|----------|--------|
| J | WHITE | RED | BROWN |
| K | YELLOW | RED | BROWN |
| T | BLUE | RED | BROWN |
| E | PURPLE | RED | BROWN |

ORDERING INFORMATION

| DESCRIPTION | ANSI TYPE | MAX TEMP | | INSULATION TYPE | NOMINAL SIZE (IN.) | PART NUMBER |
|------------------|-----------|----------|-----|-----------------|--------------------|-------------|
| | | °C | °F | | | |
| WIRE 100' SPL | J | 260 | 500 | NEOFLON PFA | .056 X .093 | TMWSJ100 |
| | K | 260 | 500 | NEOFLON PFA | .056 X .093 | TMWSK100 |
| | T | 200 | 400 | NEOFLON PFA | .056 X .092 | TMWST100 |
| | E | 260 | 500 | NEOFLON PFA | .056 X .092 | TMWSE100 |
| | J | 370 | 700 | GLASS BRAID | .050 X .085 | TMWGT100 |
| | K | 482 | 900 | GLASS BRAID | .050 X .080 | TMWGE100 |
| | T | 200 | 400 | GLASS BRAID | .050 X .080 | TMWGT100 |
| | E | 430 | 800 | GLASS BRAID | .050 X .080 | TMWGE100 |
| WIRE 25' SPL | J | 260 | 500 | NEOFLON PFA | .056 X .093 | TMWSJ025 |
| | K | 260 | 500 | NEOFLON PFA | .056 X .093 | TMWSK025 |
| | T | 200 | 400 | NEOFLON PFA | .056 X .092 | TMWST025 |
| | E | 260 | 500 | NEOFLON PFA | .056 X .092 | TMWSE025 |
| | J | 370 | 700 | GLASS BRAID | .050 X .085 | TMWGT025 |
| | K | 482 | 900 | GLASS BRAID | .050 X .080 | TMWGE025 |
| | T | 200 | 400 | GLASS BRAID | .050 X .080 | TMWGT025 |
| | E | 430 | 800 | GLASS BRAID | .050 X .080 | TMWGE025 |

MODEL TMPCB - RETRACTABLE SENSOR CABLES

GENERAL DESCRIPTION

The retractable sensor cables are color coded and for use with thermocouples. The cables have a superior jacket construction, employing the latest in jacketing material: TPE (thermoplastic elastomer), a unique family of thermoplastics which exhibits characteristics previously found only in rubber compounds. TPE is extremely tough and flexible, and has excellent abrasion resistance. This special construction technique yields an expansion rate of up to 500%. These retractable cables are for use with electronic type indicators, either panel, handheld or bench type models.

- COMPATIBLE WITH J, K, T AND E THERMOCOUPLE CALIBRATIONS
- EXPANSION RATIO UP TO 500% - 1 Ft (300 mm) OF CABLE STRETCHES TO 5 Ft (1500 mm)
- IDEAL FOR USE WITH HANDHELD AND BENCH STAND ELECTRONIC INDICATORS
- BARE WIRE ENDS

ORDERING INFORMATION

| DESCRIPTION | TYPE | JACKET | +WIRE | -WIRE | PART NUMBER |
|--------------------|------|--------|--------|-------|-------------|
| 2 FT RETRACT CABLE | J | BLACK | WHITE | RED | TMPCBS01 |
| | K | YELLOW | YELLOW | RED | TMPCBS02 |
| | T | BLUE | BLUE | RED | TMPCBS03 |
| | E | PURPLE | PURPLE | RED | TMPCBS04 |

SPECIFICATIONS

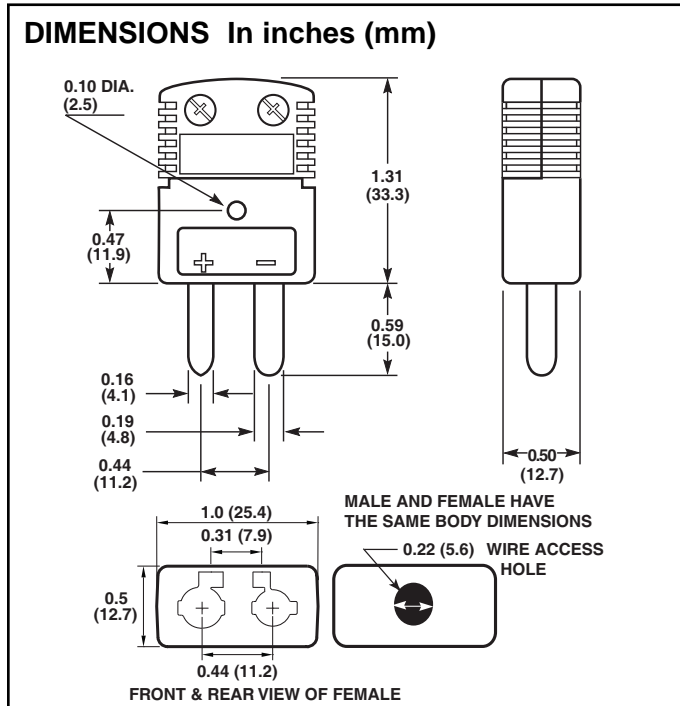
1. **INSULATION:** TPE Thermoplastic Elastomer outer jacket
2. **INNER CONDUCTORS:** Neoflon PFA
3. **CALIBRATIONS:** J, K, T, E
4. **THERMOCOUPLE WIRE CONFORMITY:** SLE Standard limit of error per ANSI MC 96.1 (1975)
5. **TEMPERATURE RATING:** -30 to 105 °C (-22 to 220 °F)
6. **CONSTRUCTION:** 28 AWG stranded wire (7 strand x 36 gauge)
7. **LENGTH:** 2 feet (600 mm)

ACCESSORIES

MODEL TPCN - QUICK DISCONNECT STANDARD CONNECTORS

GENERAL DESCRIPTION

Standard Connectors are for use with the Standard Quick Disconnect TC Probes. They are available in both male and female termination, and include a "write on label" for easy identification. The female standard connector is a universal connector, meaning it can be used to terminate male versions of both the standard and miniature connector.



SPECIFICATIONS

1. **CONNECTOR BODY MATERIAL:** Glass Filled Nylon, for temperature ranges of -29 to 220 °C (-20 to 428 °F).
2. **CONNECTOR BODY COLOR:** ANSI color coded
3. **WIRE GAGE:** Accepts stranded or solid wire up to 14 AWG
4. **WIRE TERMINATION:** Combination Phillips/Slot Screws

ORDERING INFORMATION

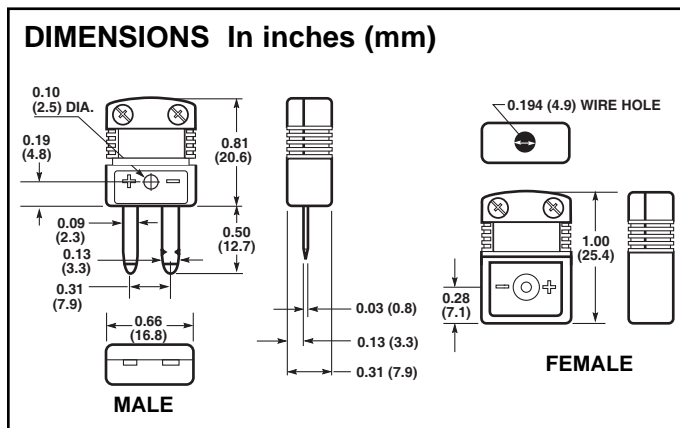
| DESCRIPTION | TYPE | TERMINATION | PART NUMBER |
|--------------------|------|-------------|-------------|
| STANDARD CONNECTOR | K | MALE | TMPCNS01 |
| | | FEMALE | TMPCNS02 |
| | T | MALE | TMPCNS03 |
| | | FEMALE | TMPCNS04 |
| | E | MALE | TMPCNS05 |
| | | FEMALE | TMPCNS06 |
| | J | MALE | TMPCNS07 |
| | | FEMALE | TMPCNS08 |

Covered by US and Foreign Patents.

MODEL TPCN - QUICK DISCONNECT MINIATURE CONNECTORS

GENERAL DESCRIPTION

Miniature Connectors are for use with the Miniature Quick Disconnect TC Probes. They are available in both male and female termination, and include a "write on label" for easy identification.



SPECIFICATIONS

1. **CONNECTOR BODY MATERIAL:** Glass Filled Nylon, for temperature ranges of -29 to 220 °C (-20 to 428 °F).
2. **CONNECTOR BODY COLOR:** ANSI color coded
3. **WIRE GAGE:** Accepts stranded or solid wire up to 20 AWG
4. **WIRE TERMINATION:** Combination Phillips/Slot Screws

ORDERING INFORMATION

| DESCRIPTION | TYPE | TERMINATION | PART NUMBER |
|---------------------|------|-------------|-------------|
| MINIATURE CONNECTOR | K | MALE | TMPCNM01 |
| | | FEMALE | TMPCNM02 |
| | T | MALE | TMPCNM03 |
| | | FEMALE | TMPCNM04 |
| | E | MALE | TMPCNM05 |
| | | FEMALE | TMPCNM06 |
| | J | MALE | TMPCNM07 |
| | | FEMALE | TMPCNM08 |

Covered by US and Foreign Patents.

LIMITED WARRANTY

The Company warrants the products it manufactures against defects in materials and workmanship for a period limited to two years from the date of shipment, provided the products have been stored, handled, installed, and used under proper conditions. The Company's liability under this limited warranty shall extend only to the repair or replacement of a defective product, at The Company's option. The Company disclaims all liability for any affirmation, promise or representation with respect to the products.

The customer agrees to hold Red Lion Controls harmless from, defend, and indemnify RLC against damages, claims, and expenses arising out of subsequent sales of RLC products or products containing components manufactured by RLC and based upon personal injuries, deaths, property damage, lost profits, and other matters which Buyer, its employees, or sub-contractors are or may be to any extent liable, including without limitation penalties imposed by the Consumer Product Safety Act (P.L. 92-573) and liability imposed upon any person pursuant to the Magnuson-Moss Warranty Act (P.L. 93-637), as now in effect or as amended hereafter.

No warranties expressed or implied are created with respect to The Company's products except those expressly contained herein. The Customer acknowledges the disclaimers and limitations contained herein and relies on no other warranties or affirmations.

TRANSCAT[®]

 Visit us at Transcat.com!

35 Vantage Point Drive // Rochester, NY 14624 // Call 1.800.800.5001