



MODEL PKS1 - PANEL KEY SWITCH

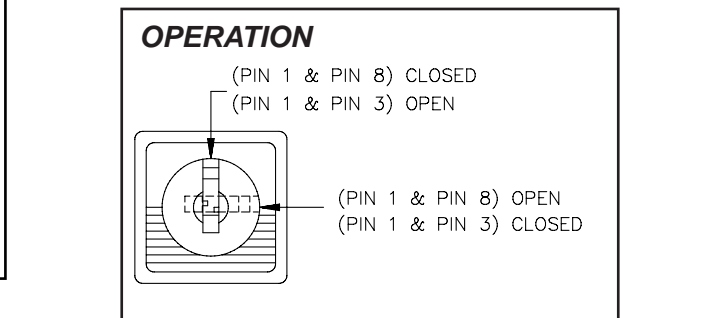
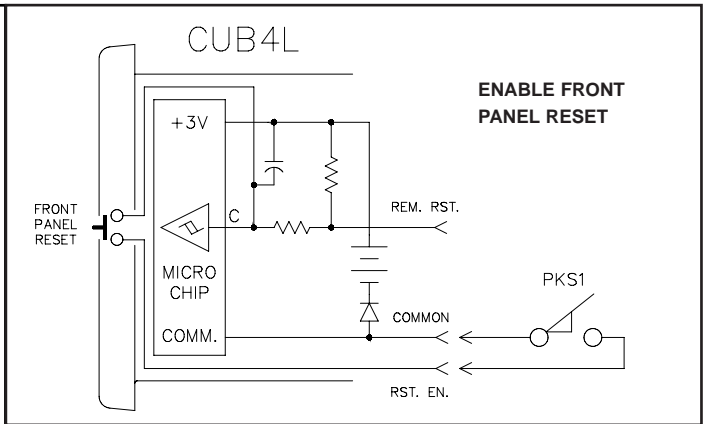
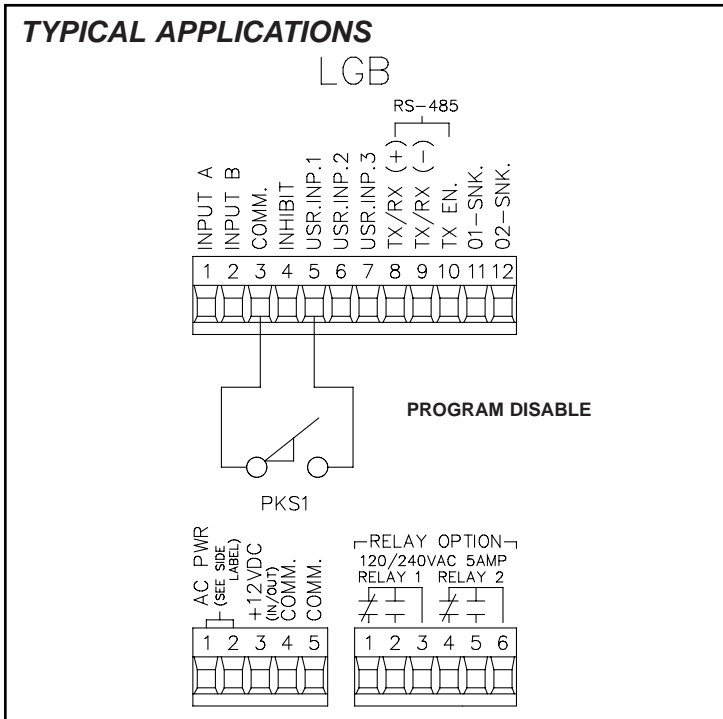
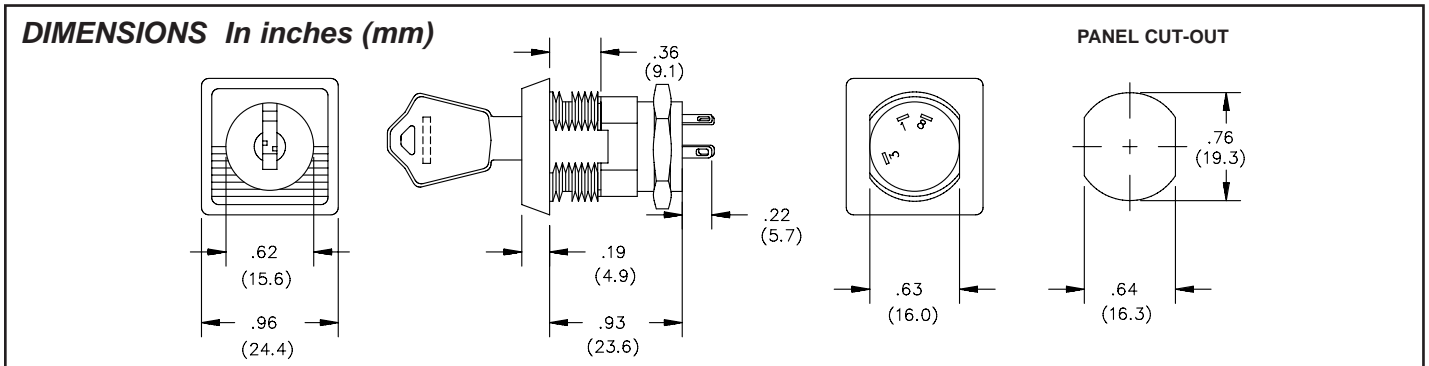


- SUPPLIED WITH TWO KEYS
- KEY CAN BE REMOVED IN TWO POSITIONS
- SOLDER TYPE TERMINALS FOR EASY HOOK-UP

SPECIFICATIONS

- CONTACT RATING:**
4 Amps @ 125 VAC or 28 VDC; 2 Amps @ 250 VAC.
- ELECTRICAL LIFE:** 10,000 make-and-break cycles at full load.
- CONTACT RESISTANCE:** Below 10 mΩ typical.
- INSULATION RESISTANCE:** 10⁹ Ω min.
- DIELECTRIC STRENGTH:** 1,000 V RMS min. @ sea level.
- INDEXING:** 90° 2 position.
- CONSTRUCTION:** Zinc alloy with nickel plated finish.

UL recognized component, CSA certified
 (C&K, PN# Y-101-1U-2B-203-NQ, UL File # E42363)



ORDERING INFORMATION

MODEL NO.	DESCRIPTION	PART NUMBER
PKS1	Panel Key Switch	PKS10000