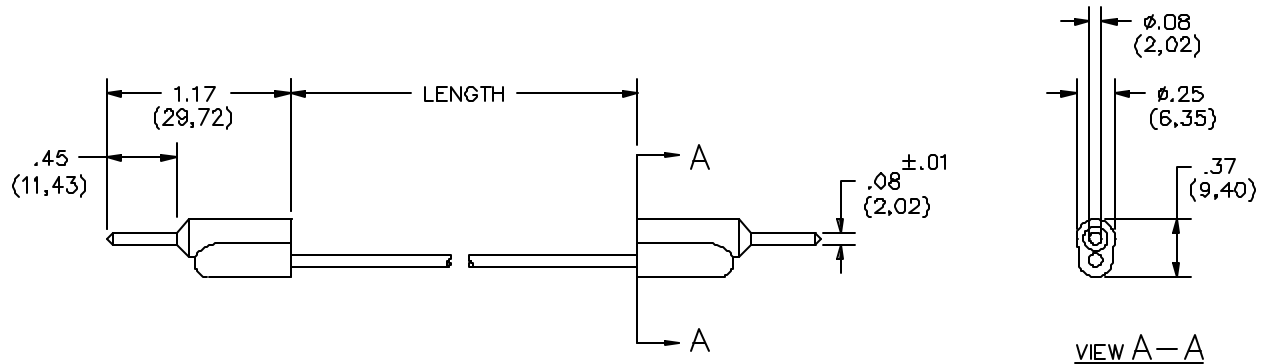


Model P Stacking Pin Tip Plug, Each End



FEATURES:

- Stackable pin tip plugs.
- Mates to Model #3542, 4773 or any other standard .08 inch pin jack.
- Ideal for use as jumper wires on chassis boxes.

MATERIALS:

Conn: Pin Tip Plug

Material: Pin Tip Body – Brass per QQ-B-626, Alloy 360, ½ Hard.

Stack-Up Spring – Beryllium Copper per QQ-C-533, Alloy C172, Cond. HT.

Finish: Gold plated per MIL-G-45204, Type II, Class 00 over electroless nickel per QQ-N-290, Class I, 100/200 microinches.

Insulation: Polypropylene molded to pin tip body and wire.

Color: Matches color of wire.

Marking: “POMONA ELECTRONICS.”

Wire: 20 AWG - stranding 41 x 36, t.c., PVC insulated, 2.21 (.087) O.D.

Color: See Ordering Information.

Marking: “POMONA P-XX.”

RATINGS:

Operating Temperature: +55°C. (+131°F.) Max.

Operating Voltage: 3000 WVDC

Current: 5 Amperes Cont.

ORDERING INFORMATION: Model P-XX-*

XX = Cable Lengths, Standard Lengths: 4” (102), 8” (203), 12” (305), 18” (457), 24” (610), 36” (914), 48” (1219) & 60” (1524). Additional lengths and colors can be quoted upon request.

*= Color, -0 Black, -2 Red

Ordering Example: P-60-2 Indicates 60” in length, Color is Red

All dimensions are in inches. Tolerances (except noted): .xx = ±.02” (.51 mm), .xxx = ±.005” (.127 mm).

All specifications are to the latest revisions. Specifications are subject to change without notice.

Registered trademarks are the property of their respective companies. Made in USA