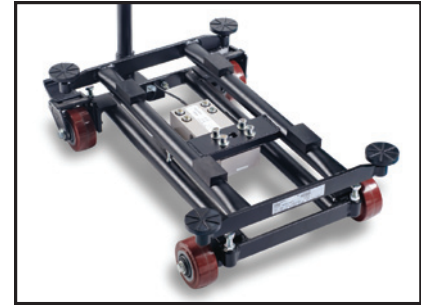


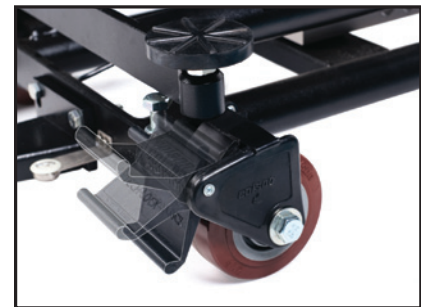


# Defender™ 3000

Wheeled Bench Scales



Wheeled frame structure



Quick-lock brake mechanism



## Portability in a dependable and affordable package!

The OHAUS 3000 Series indicator combined with the Defender™ “T” model wheeled platform blends portability and performance into an affordable scale package. The wheeled platform and handle-bar column is an ergonomic design that allows moving without lifting the scale, and the durable slip-resistant polyurethane wheels can be easily locked to keep the scale securely in place. Featuring a rugged stainless steel pan, NTEP certified performance, and a durable plastic indicator with flexible viewing positions, counting, backlit LCD display and built-in rechargeable battery operation, the OHAUS Defender 3000 Series wheeled bench scale is the affordable solution to your rugged and portable weighing applications.

### Standard Features Include:

- Two capacities: 500 lbs (250 kg) and 1,000 lbs (500 kg) with 20 x 28 in (51 x 71 cm) stainless steel pan
- Painted steel handle-bar column and polyurethane wheels with quick-lock/unlock brake mechanism
- 1:5,000 default resolution
- 1:2,500 NTEP certified/Measurement Canada approved Legal-for-Trade resolution
- Indicator features high-impact ABS plastic housing with painted steel adjustable viewing bracket
- 1 in (25 mm) high LCD display with high-contrast backlight
- Multiple weighing units: lb, oz, lb-oz, kg, g
- Parts counting mode with selectable sample sizes, auto-retention of last sample size, and reference display of APW
- Built-in bi-directional RS232C for printing or connection to PC
- Power via AC adapter or 120-hour internal rechargeable lead acid battery

# Defender™ 3000 Wheeled Bench Scales

## Specifications

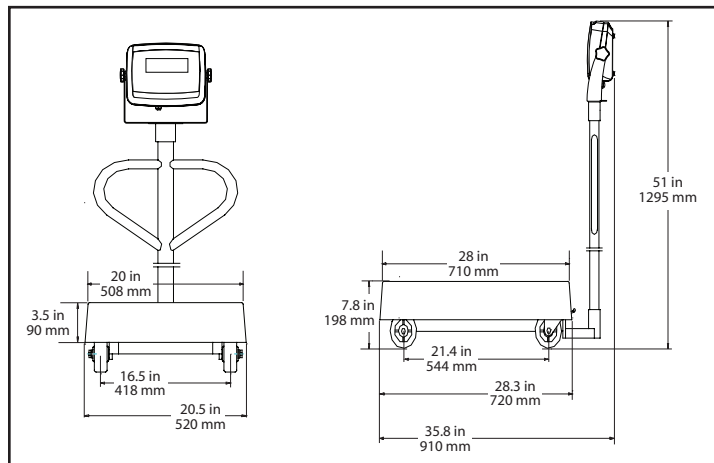
Scale Models	D31P250TX	D31P500TX
Capacity x Readability (default: cal unit lb)	500 lb x 0.1 lb / 227 kg x 0.05 kg	1,000 lb x 0.2 lb / 454 kg x 0.1 kg
Capacity x Readability (cal unit kg)	250 kg x 0.05 kg / 551 lb x 0.2 lb	500 kg x 0.1 kg / 1,102 lb x 0.5 lb
Capacity x Certified/Approved Readability	500 lb x 0.2 lb 250 kg x 0.1 kg	1,000 lb x 0.5 lb 500 kg x 0.2 kg
Pan Dimensions (W x D)	20 x 28 in / 508 x 710 mm	
Base Construction	304 stainless steel pan with painted steel frame, polyurethane wheels with locking mechanism, external level indicator	
Column	40.5 in (1,030 mm), fixed height tubular painted steel with handle bar	
Safe Overload Capacity	150% of rated capacity	
Load Cell	350 Ω, IP67 aluminum, 2mV/V, 5-15V DC/AC	
Indicator	T31P indicator with ABS plastic housing and painted carbon steel U-mount bracket with angle adjustment knobs	
Weight Display	1 in (25 mm) high, 6-digit, 7-segment LCD with high-contrast white LED backlight	
Weighing Units	lb, oz, lb-oz, kg, g	
Extra Functions/Modes	Parts Counting (min APW 1d)	
Keyboard	4 function mechanical switches, raised with positive feedback	
Stabilization Time	Within 2 seconds	
Auto-zero Tracking	Off, 0.5, 1 or 3 divisions	
Zeroing Range	2% or 100% of capacity	
Span Calibration	5 lb/kg to 100% of capacity	
Interface	Bi-directional RS232	
Operating Temperature Range	14°F to 104°F / -10°C to 40°C	
Power	9-12 VDC, 0.5A, AC adapter with internal rechargeable lead acid battery (100-hour typical operation on full charge)	
Scale Net Weight	88 lb / 40 kg	
Shipping Dimensions (W x D x H)	30.7 x 46.1 x 10.6 in / 780 x 1170 x 270 mm	
Shipping Weight	101 lb / 46 kg	

Accessories	Ohaus Number
RS232 Interface cable to PC 25-pin.....	80500524
RS232 Interface cable to PC 9-pin.....	80500525
RS232 Interface cable to 80252042 dot matrix printer.....	80252571
RS232 Interface cable to 80251992 thermal printer.....	80252581
Compact dot matrix impact printer.....	80252042
Compact thermal printer.....	80251992

## Approvals:

- **Safety:** cUL<sub>US</sub>, CE
- **EMC:** FCC, ICES, CE Class A
- **Legal for Trade:** NTEP CC 08-066 A1 (indicator) / CC 09-056 (base)  
Measurement Canada AM-5713C Rev. 1 (indicator) / AM-5723 (base)
- **Quality:** OHAUS quality management system registered to ISO 9001:2008

## Outline Dimensions



**OHAUS CORPORATION**  
 \* 7 Campus Drive  
 Suite 310  
 Parsippany, NJ 07054 USA  
 Tel: 800.672.7722  
 973.377.9000  
 Fax: 973.944.7177  
[www.ohaus.com](http://www.ohaus.com)

*With offices throughout Europe,  
 Asia, and Latin America*

**\* ISO 9001**  
 Registered Quality Management System

80774622\_B © Copyright Ohaus Corporation

