

800 Electronic Indicating Pressure Switch/Transmitter

WITH TWO SWITCH OUTPUTS, OR
ONE SWITCH OUTPUT AND 4-20 mA OR 0-10 VDC
ANALOG OUTPUT

DESCRIPTION

The NOSHOK 800 Series Electronic Indicating Pressure Switch/Transmitter with display provides continuous pressure monitoring and allows the programming of the set points without applying pressure. The set points, contact functions (normally open / normally closed), reset points, contact types (npn / pnp) and switching function (hysteresis / gate) are simple to adjust via the two buttons.

By the use of proven ceramic or thin film sensors, this pressure switch features a high level of repeatability and durability. The turnable display and the optional turnable process connection allow ease of installation and wiring.

FEATURES

Pressure Ranges from -14.5 psig to 9999 psig
330° Rotatable Display-Head
Integrated Password Protection
Simple 2-Key Programming
Four-Digit LED-Display
Scaleable Analog Output
Fast Response Time

OPTIONAL FEATURES

330° Rotatable Pressure Connection
Minimum/Maximum Value Memory
Output Dampening up to 2,000 msec
Switching Time Delay

APPLICATIONS

Hydraulic and Pneumatic Systems
Molding and Extruding Equipment
Stamping and Forming Presses
Pumps and Compressors
HVAC
Power Generation
Transportation Equipment
Marine



SPECIFICATIONS

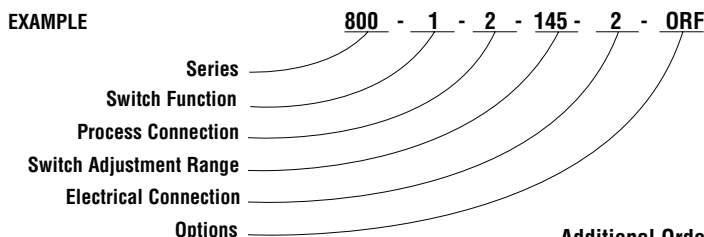
Pressure Ranges	Standard gauge ranges from -14.5 psig to 30 psig through 0 psig to 9999 psig; Selectable units in psi or bar
Pressure Sensor	Thick film ceramic strain gage for ranges through - 15 psig to 750 psig. Sputtered thin film strain gage for all higher pressure ranges.
Proof Pressure	2 times Full Scale for ranges Vacuum through 0 psig to 750 psig. 1.75 times Full scale for ranges 0 psig to 1500 psig through 0 psig to 10000 psig.
Burst Pressure	2.5 times Full Scale for ranges Vacuum through 0 psig to 750 psig. 4 times Full scale for ranges 0 psig to 1500 psig through 0 psig to 10000 psig.
Wetted Materials	Stainless Steel with ceramic sensor and viton seal on ranges up through 0 psig to 750 psig (other sealing materials available upon request) 17-4PH Stainless steel only for higher pressure ranges.
Housing Material	Stainless Steel
Power Supply	12 - 30 Vdc
Signal Output	4 to 20 mA or 0 to 10 Vdc; Scaleable, 20-100% of range.
Switch Points Number	Individually adjustable via external control keys. 1 or 2 (PNP or NPN).
Function	NO / NC or window, adjustable hysteresis.
Switching Rating	0.5 A max
Response Time	<10 ms
Accuracy	<0.5% Full Scale
Dampening	Optional: 0-2000ms, Programmable
Switch Delay	Optional: 0-99.99s, Programmable
Display	7 - Segment - LED, red 4-digit, height 0.3".
Adjustment	Programmable on the display.
Switch Point	0.5 to 100% of Full Scale.
Hysteresis	0.5 to 99% of Full Scale.
Current Consumption	< 50 mA (without load).
Accuracy	< 0.5% Full Scale (Best Fit Straight Line)
Hysteresis	< 0.5% Full Scale (< 0.3 with pressure ranges < 0 psig - 750 psig)
Repeatability	< 0.2% Full Scale
Stability	< 0.2% Full Scale (< 0.3 with pressure ranges < 0 psig - 750 psig)
Temperature Ranges	
Media	-4 °F to 176 °F (-20 °C to 80 °C)
Ambient	-4 °F to 158 °F (-20 °C to 70 °C)
Storage	-22 °F to 176 °F (-30 °C to 80 °C)
Compensated Temp Range	0 °C to 80 °C (32 °F to 176°F)
Thermal Zero Effect	±0.07% Full Scale / °F
Thermal Span Effect	±0.07% Full Scale / °F
CE Compliance	89/336EWG interference emission and immunity see EN 61 326 97/23/EG Pressure equipment directive, Appendix 1
Electrical Protection	Protected against reverse polarity, overvoltage and short circuit.
Environmental Protection	NEMA 4 Per IEC 60529 / EN 60529
Durability	> 10 million Full Scale Cycles
Weight	Approximately 0.62 lbs

SERIES **800** *Electronic Indicating Pressure Switch/Transmitter*

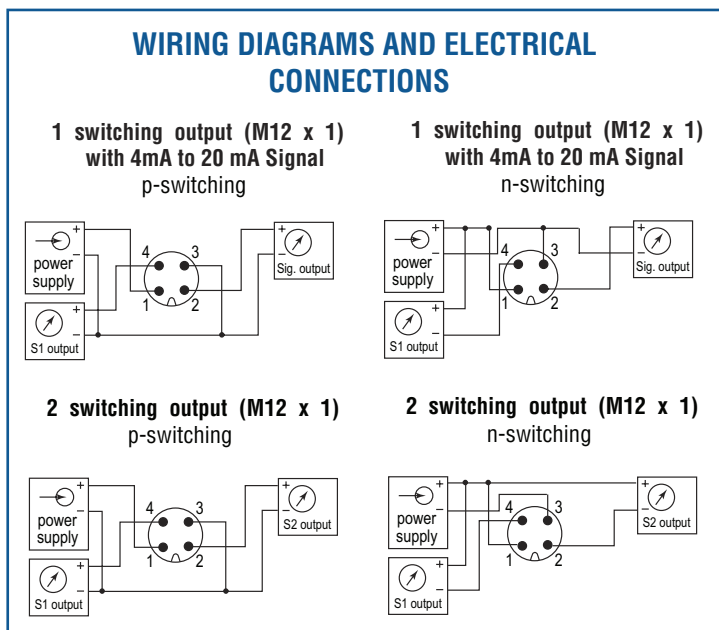
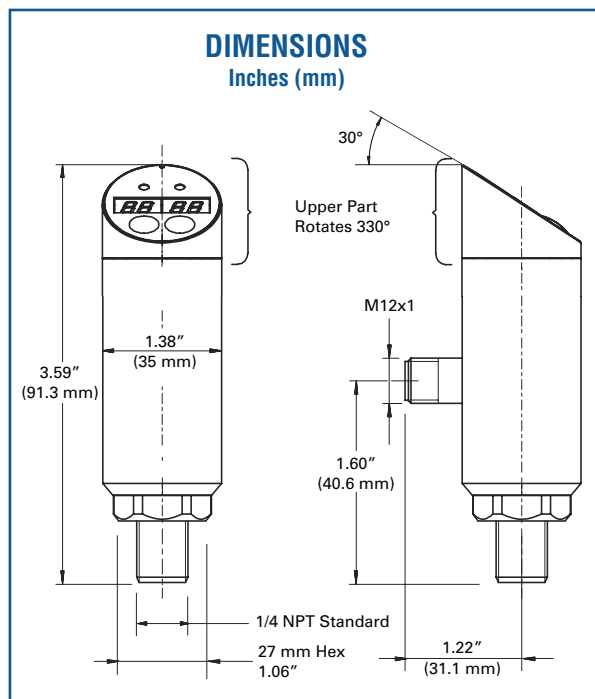
ORDERING INFORMATION

SERIES	800					
SWITCH FUNCTION	1	2 N.O. or 2 N.C. (PNP or NPN)	2	1 N.O. or 1 N.C. (PNP or NPN) with 4 mA to 20 mA Analog Output	3	1 N.O. or 1 N.C. (PNP or NPN) with 0 Vdc to 10 Vdc Analog Output
PROCESS CONNECTIONS	2	¼" NPT MALE	5	¼" NPT FEMALE	8	½" NPT MALE
	11	G½B MALE	19	G½B FEMALE	45	7/16-20 UNF SAE #4 (Non-Adjustable)
SWITCH ADJUSTMENT RANGE	-14.5 psig to 30 psig	15/30	0 psig to 145 psig	145	0 psig to 3750 psig	3750
	-14.5 psig to 75 psig	15/75	0 psig to 300 psig	300	0 psig to 6000 psig	6000
	-14.5 psig to 145 psig	15/150	0 psig to 750 psig	750	0 psig to 9000 psig	9000
	0 psig to 30 psig	30	0 psig to 1500 psig	1500		
	0 psig to 75 psig	75	0 psig to 2400 psig	2400		
ELECTRICAL CONNECTIONS	2	M12 x 1 (4-Pin)				
OPTIONS	ORF	Threaded Orifice	RB	Rotatable Base	EH	Enhanced Software ¹

¹Includes Minimum/Maximum Value Memory, Output Dampening, Switching Time Delay



Additional Ordering Information Switch Set Point(s) (please specify)



TRANSCAT

▶ Visit us at Transcat.com!

35 Vantage Point Drive // Rochester, NY 14624 // Call 1.800.800.5001

The Instrumentation Company

NOSHOK
INCORPORATED