

# TRANSCAT®

▶ Visit us at [Transcat.com!](http://Transcat.com)

35 Vantage Point Drive Rochester, NY 14624  
Call 1.800.800.5001

Geräte, Abstützungen und Vierkantadapter  
Tools, reaction arms and square drive adapters

## MX-EC / MSX



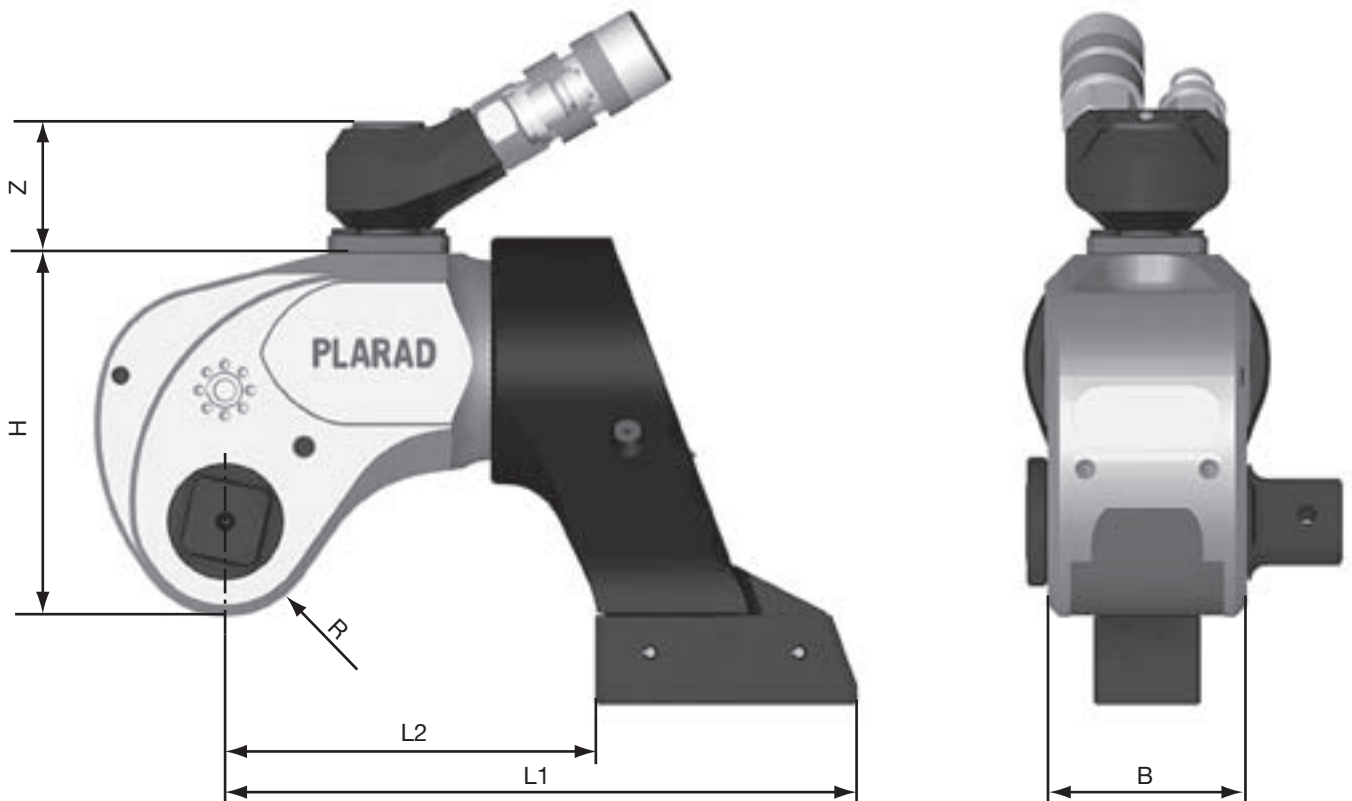
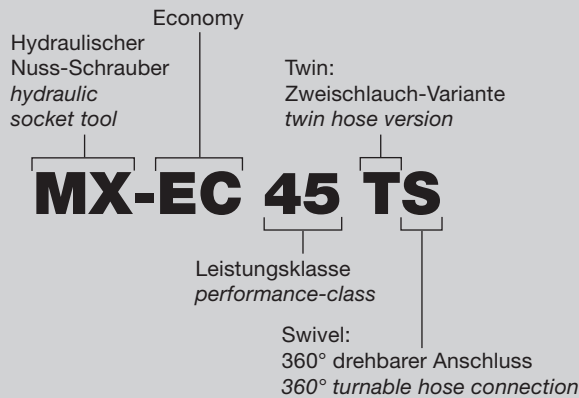
## Technische Daten *Technical data*

Maßsystem Imperial · *Imperial system*



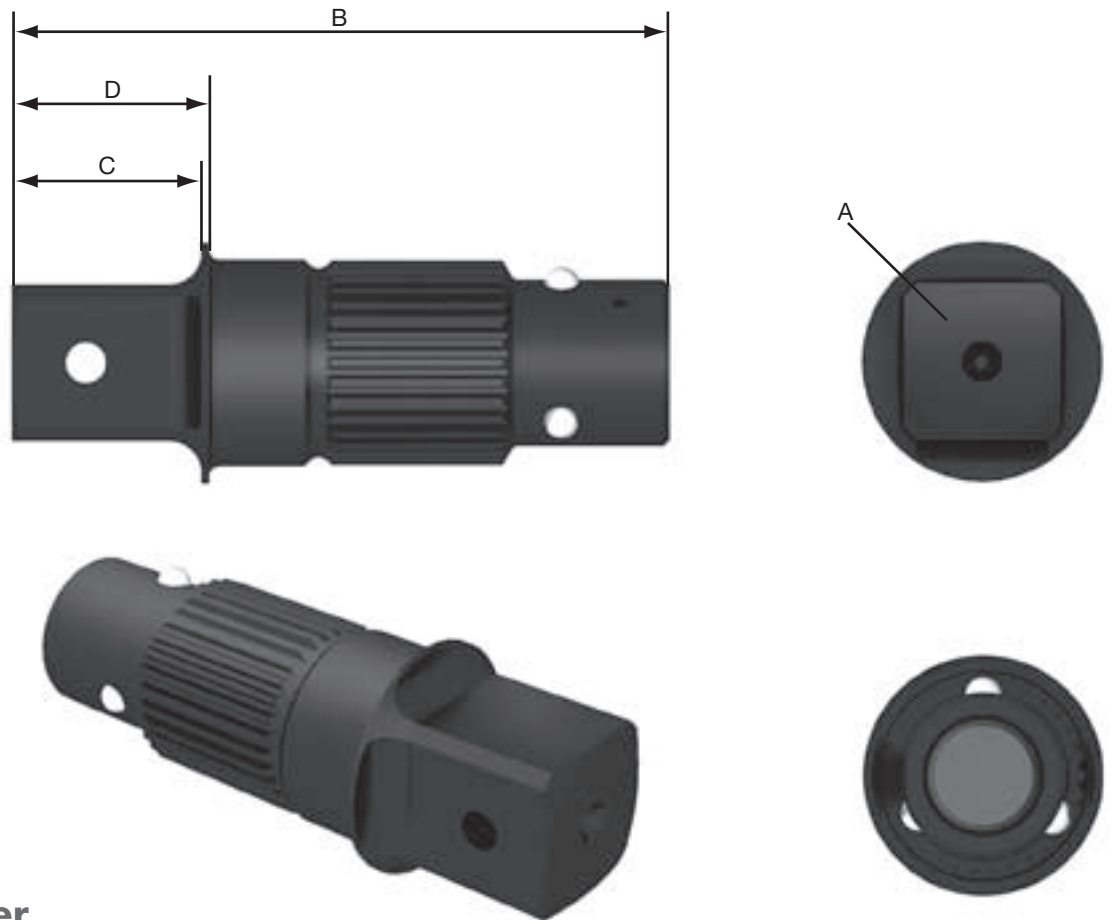
# PLARAD

# MX-EC / MSX



## Gerät Tool

Typ	Antriebsvierkant Square drive	Leistungsbereich Performance range (ft lbs)	L2 - L1 (inch)	B (inch)	H (inch)	R (inch)	Z (inch)	Gewicht Weight (kg)
MX-EC 20 TS	1" (3/4")	155 - 1550	3.93 - 6.3	1.97	3.66	0.95	1.73	2.9
MX-EC 45 TS	1"	332.1 - 3321	4.88 - 8.35	2.64	4.8	1.26	1.73	4.9
MX-EC 75 TS	1 1/2"	553.5 - 5535	5.35 - 9.96	3.15	5.47	1.47	1.73	7.3
MX-EC 95 TS	1 1/2"	950 - 9.500	6.18 - 10.12	3.35	6.06	1.65	1.73	9.5
MX-EC 120 TS	1 1/2"	701.1 - 7011	6.89 - 10.83	3.54	6.42	1.69	1.73	10.5
MX-EC 155 TS	1 1/2"	1143.9 - 11439	7.68 - 11.61	3.93	7.13	1.93	1.73	13.5
MX-EC 200 TS	2 1/2"	1512.9 - 15129	8.27 - 12.72	4.41	8.27	2.17	1.73	20.5
MSX 250 TS	2 1/2"	1845 - 18450	7.28 - 11.41	4.65	9.04	2.26	3.07	29.5
MSX 400 TS	2 1/2"	2952 - 29520	9.02 - 14.25	5.35	10.77	2.62	3.07	49.5
MSX 650 TS	3 1/2"	4797 - 47970	10.24 - 16.34	6.1	12.74	3.07	3.07	77.7

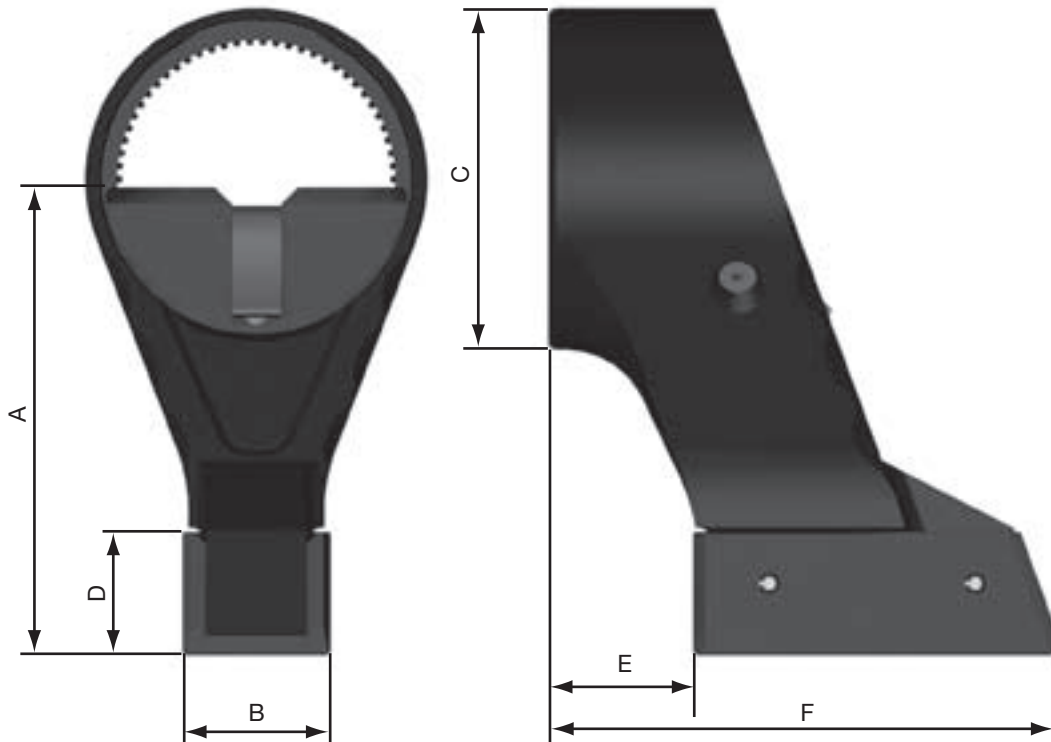


## Vierkantadapter Square drive adapters

Typ		Code Nr. Code no.	A	B	C	D	MT <sub>max</sub>	Gewicht Weight
				(inch)	(inch)	(inch)	(ft lbs)	(kg)
MX-EC 20 TS	AP 075	B93-042-1-00002	3/4"	3.43	0.9	1.1	959.4	0.35
	AP 100	B93-042-1-00001	1"	3.58	1.06	1.26	1549.8	0.45
MX-EC 45 TS	AP 100	B93-032-1-00001	1"	4.19	1.06	1.26	3321	0.65
	AP 150	B93-032-1-00002	1 1/2"	4.7	1.57	1.77	3321	0.95
MX-EC 75 TS	AP 150	B93-038-1-00005	1 1/2"	5.22	1.57	1.77	5535	1.25
MX-EC 95 TS	AP 150	B93-041-1-00500	1 1/2"	5.37	1.61	1.73	7011	1.23
MX-EC 120 TS	AP 150		1 1/2"	5.57	1.57	1.77	8856	1.75
MX-EC 155 TS	AP 150		1 1/2"	6.16	1.57	1.77	11439	2.1
	AP 250		2 1/2"	6.75	2.16	2.36	11439	3.3
MX-EC 200 TS	AP 200		2 1/2"	7.46	2.16	2.36	14760	4.75
MSX 250 TS	AP 250	B93-058-1-00001	2 1/2"	7.46	2.16	2.36	18450	4.75
MSX 400 TS	AP 250	B93-068-1-00001	2 1/2"	8.19	2.16	2.36	29520	6.2
MSX 650 TS	AP 250	B93-080-2-06405	2 1/2"	9.13	2.16	2.36	36900	8.7
	AP 350	B93-080-2-08905	3 1/2"	10.31	3.35	3.54	47970	12.0

## Abstützungen mit Sicherheitsverriegelung

### Reaction arms with safety latch



Typ	Code Nr. Code no.	A (inch)	B (inch)	C (inch)	D (inch)	E (inch)	F (inch)	Gewicht Weight (kg)
MX-EC 20 TS	B50-020-1-00420	3.94	1.42	2.76	1.1	2.36	3.54	0.7
MX-EC 45 TS	B50-045-1-05601	4.37	1.42	3.27	1.38	1.38	4.84	1.1
MX-EC 75 TS	B50-075-1-04711	5.39	1.57	3.74	1.38	1.46	6.1	1.8
MX-EC 95 TS	B50-095-1-00500	6.3	1.57	4.21	1.38	2.36	6.22	1.9
MX-EC 120 TS	B50-120-1-00115	6.3	1.81	4.41	1.38	2.44	6.42	2.6
MX-EC 155 TS	B50-155-1-00140	6.65	1.81	5.04	1.61	2.91	6.85	3.2
MX-EC 200 TS	B50-200-1-00240	7.87	2.4	5.75	2.09	3.35	6.18	5.6
MSX 250 TS	B50-250-1-00110	8.78	2.6	7.5	2.09	1.81	6.18	6.4
MSX 400 TS	B50-400-1-00110	9.76	3.74	8.86	2.17	2.52	7.76	10.8
MSX 650 TS	B50-650-1-00110	11.0	4.13	10.0	2.36	2.68	8.78	18.0

**PLARAD**®  
Torque & Tension Systems



**TRANSCAT**®

▶ Visit us at [Transcat.com](http://Transcat.com)!

35 Vantage Point Drive Rochester, NY 14624  
Call 1.800.800.5001

**Copyright:** Nachdruck und Kopie, auch auszugsweise, nur mit vorheriger schriftlicher Genehmigung.