

LS-110 & LS-80 Series Switchboard Meters



▶ Visit us at Transcat.com!

35 Vantage Point Drive // Rochester, NY 14624 // Call 1.800.800.5001



LS-110

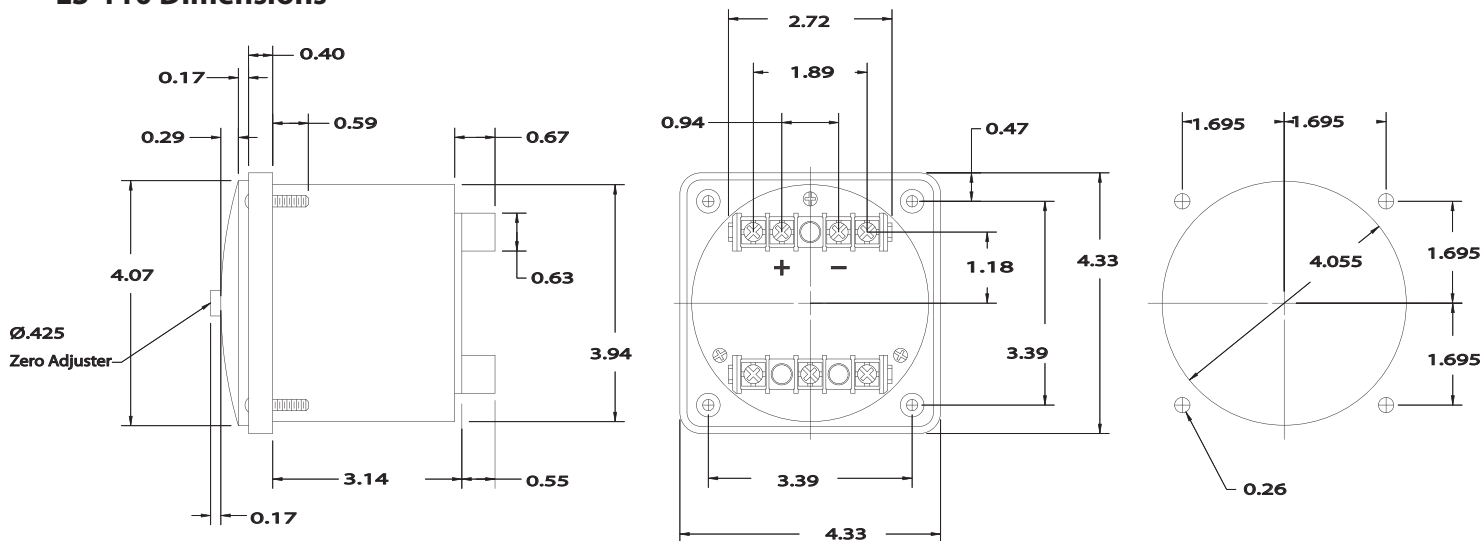


LS-80

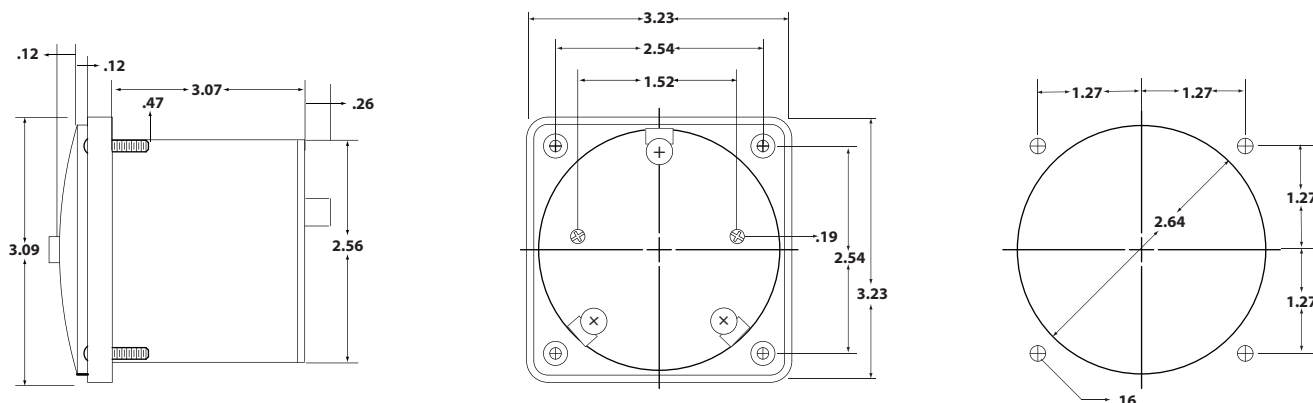
- The LS-110 is 4.5" Square
 - The LS-80 is 3.25" Square
 - All AC moving coil rectifier ammeters and voltmeter are $\pm 1\%$
 - DC Moving coil ammeters and voltmeters $\pm 1\%$
 - Frequency meters $\pm 0.15\text{Hz}$ (50Hz & 60Hz), and all power meters are $\pm 1\%$.
 - All AC & DC voltmeters - 50% momentary /20% prolonged
 - AC & DC ammeters - 50% momentary/20% prolonged
 - Frequency meters - 20% maximum; and power meters - 20% maximum. All ammeters and power meters <0.5V maximum
 - Meters are ANSI C39.1
- * Some available options include custom artwork, colored dials, traceable calibration, custom logos, panel gaskets, and anti-glare window.

*Available meters include:
Watts, Vars, Powerfactor, Syncroscope, Amp and Volts.

LS-110 Dimensions



LS-80 Dimensions



▶ Visit us at Transcat.com!

35 Vantage Point Drive // Rochester, NY 14624 // Call 1.800.800.5001