

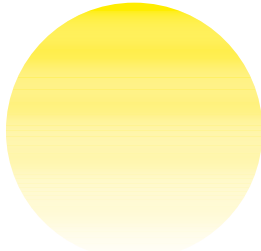
MINIATURE INDUSTRIAL COMPRESSION LOAD CELL FOR INDUSTRIAL APPLICATIONS TO 50,000 lb

TRANSCAT

▶ Visit us at Transcat.com!

35 Vantage Point Drive // Rochester, NY 14624 // Call 1.800.800.5001

LCGD Series
Compression
0-25 lb to 0-50,000 lb
0-11 kg to 0-22,686 kg



- ✓ 5-Point NIST Traceable Calibration
- ✓ Stainless Steel
- ✓ High Accuracy
- ✓ Low Profile
- ✓ Miniature Size

The LCGD Series miniature low-profile load cells are compression load cells with excellent long-term stability. An all stainless steel construction ensures reliability in severe industrial environments. These cells are designed to be mounted on a flat surface, and a load button is integral to their basic design.

SPECIFICATIONS

Excitation: 10 Vdc
Output: 2 mV/V nominal
5-Point Calibration:
 0%, 50% 100%, 50%, 0%
Linearity: ±0.25% FSO
Hysteresis: ±0.20% FSO
Repeatability: ±0.10% FSO
Zero Balance: ±2% FSO
Operating Temp Range:
 -54 to 121°C (-65 to 250°F)
Compensated Temp Range:
 16 to 71°C (60 to 160°F)
Thermal Effects:
Span: ±0.018% rdg/°C
Zero: ±0.009% FSO/°C

Safe Overload: 150% of capacity
Ultimate Overload: 300% of capacity
Bridge Resistance: 350 Ω minimum
Deflection: 0.076 mm (0.003")
Construction: Stainless steel
Electrical Connection: 1.5 m (5') shielded cable
Protection Class: IP65

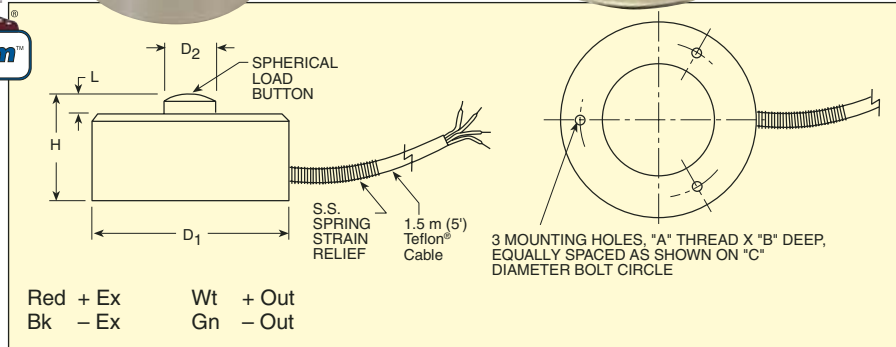


LCGD-100, \$590.



LCGD-2K, \$460.

Shown actual size.



Dimensions: mm (in)

CAPACITY	D1	D2	H	L	A	B	C
25 to 100 lb	25 (1.00)	5.3 (0.21)	16 (0.62)	1.3 (0.05)	#4-40 UNC	4.8 (0.19)	19 (0.75)
250 to 2000 lb	32 (1.25)	8.1 (0.32)	10 (0.39)	1.8 (0.07)	#6-32 UNC	6.4 (0.25)	25.4 (1.00)
5000 to 10,000 lb	38 (1.50)	11 (0.43)	16 (0.63)	2.0 (0.08)	#6-32 UNC	6.4 (0.25)	31.8 (1.25)
15,000 to 30,000 lb	51 (2.00)	15 (0.60)	25 (1.00)	3.0 (0.12)	#6-32 UNC	6.4 (0.25)	41.3 (1.63)
50,000 lb	76 (3.00)	20 (0.78)	38 (1.50)	4.6 (0.18)	#6-32 UNC	6.4 (0.25)	60.3 (2.38)

MOST POPULAR MODELS HIGHLIGHTED!

To Order (Specify Model Number)

CAPACITY		MODEL NO.	COMPATIBLE METERS*
lb	kg		
25	11	LCGD-25	DPiS, DP41-S, DP25B-S
50	23	LCGD-50	DPiS, DP41-S, DP25B-S
100	45	LCGD-100	DPiS, DP41-S, DP25B-S
250	114	LCGD-250	DPiS, DP41-S, DP25B-S
500	227	LCGD-500	DPiS, DP41-S, DP25B-S
1000	455	LCGD-1K	DPiS, DP41-S, DP25B-S
2000	909	LCGD-2K	DPiS, DP41-S, DP25B-S
5000	2269	LCGD-5K	DPiS, DP41-S, DP25B-S
10,000	4537	LCGD-10K	DPiS, DP41-S, DP25B-S
15,000	6806	LCGD-15K	DPiS, DP41-S, DP25B-S
20,000	9074	LCGD-20K	DPiS, DP41-S, DP25B-S
30,000	13,612	LCGD-30K	DPiS, DP41-S, DP25B-S
50,000	22,686	LCGD-50K	DPiS, DP41-S, DP25B-S

Comes with 5-point NIST-traceable calibration.

* See section D for compatible meters.

Ordering Examples: LCGD-5K, 5000 lb capacity load cell, . LCGD-25, 25 lb capacity load cel

ACCESSORY

MODEL NO.	PRICE	DESCRIPTION
OP-17		Reference Book: Measure for Measure





More than 100,000 Products Available!

• Temperature

Calibrators, Connectors, General Test and Measurement Instruments, Glass Bulb Thermometers, Handheld Instruments for Temperature Measurement, Ice Point References, Indicating Labels, Crayons, Cements and Lacquers, Infrared Temperature Measurement Instruments, Recorders Relative Humidity Measurement Instruments, RTD Probes, Elements and Assemblies, Temperature & Process Meters, Timers and Counters, Temperature and Process Controllers and Power Switching Devices, Thermistor Elements, Probes and Assemblies, Thermocouples Thermowells and Head and Well Assemblies, Transmitters, Wire

• Flow and Level

Air Velocity Indicators, Doppler Flowmeters, Level Measurement, Magnetic Flowmeters, Mass Flowmeters, Pitot Tubes, Pumps, Rotameters, Turbine and Paddle Wheel Flowmeters, Ultrasonic Flowmeters, Valves, Variable Area Flowmeters, Vortex Shedding Flowmeters

• pH and Conductivity

Conductivity Instrumentation, Dissolved Oxygen Instrumentation, Environmental Instrumentation, pH Electrodes and Instruments, Water and Soil Analysis Instrumentation

• Data Acquisition

Auto-Dialers and Alarm Monitoring Systems, Communication Products and Converters, Data Acquisition and Analysis Software, Data Loggers Plug-in Cards, Signal Conditioners, USB, RS232, RS485 and Parallel Port Data Acquisition Systems, Wireless Transmitters and Receivers

• Pressure, Strain and Force

Displacement Transducers, Dynamic Measurement Force Sensors, Instrumentation for Pressure and Strain Measurements, Load Cells, Pressure Gauges, Pressure Reference Section, Pressure Switches, Pressure Transducers, Proximity Transducers, Regulators, Strain Gages, Torque Transducers, Valves

• Heaters

Band Heaters, Cartridge Heaters, Circulation Heaters, Comfort Heaters, Controllers, Meters and Switching Devices, Flexible Heaters, General Test and Measurement Instruments, Heater Hook-up Wire, Heating Cable Systems, Immersion Heaters, Process Air and Duct, Heaters, Radiant Heaters, Strip Heaters, Tubular Heaters