



Direct Drive Turret Style Pressure Gauge

Solid - Front Test Gauge

34 Series - Test

Applications

- Where high dynamic pressure pulsations, vibration, or shock are present.
- Suitable for corrosive environments and gaseous or liquid media that will not obstruct the pressure system
- Process industry, Test equipment, chemical, petrochemical, refining, power stations, mining, environmental technology, mechanical engineering and plant construction.

Special features

- Excellent load-cycle stability and shock resistance
- Movement-less Direct Drive Bourdon tube
- Positive pressure ranges to 10,000 psi
- All ranges can withstand full vacuum
- Calibration certificate, traceable to NIST w/data
- Helium Leak Checked

Standard Features

Design ASME B40.100

Sizes 4½" (115 mm) dial size

Accuracy class ± 0.25% of span (ASME B40.100 Grade 3A)

Ranges Vacuum / Compound to 300 psi

Pressure from 30 psi to 8,000 psi, 10,000psi*

*10K range ± 0.25% of span upscale, ± 0.50% of span downscale or other equivalent units of pressure. Vacuum and Vacuum portion of compound ± 0.50% of span

Working pressure

Steady: full scale value

Fluctuating: 0.9 x full scale value

Short time: 1.5 x full scale value

Bourdon tube / wetted parts

Material: Inconel X - 750

316L SS socket & capillary

All connection micro-brazed / welded / helium leak tested

Pressure connection

Material: 316L stainless steel

Lower mount (LM) and lower back mount (LBM)

1/4" or 1/2" NPT

Filter

Porous metal slug - 316 SS

Porosity: 25 to 50 microns

Operating temperature

Ambient: - 65°F to +190°F

Medium: - 65°F to +400°F

Weather protection

Weather resistant (NEMA 3 / IP54)

Dial

White aluminum with black lettering, grey center



Pointer

Black aluminum Knife edge, adjustable
 External zero adjustment
 Adjustment screw located on window

Case

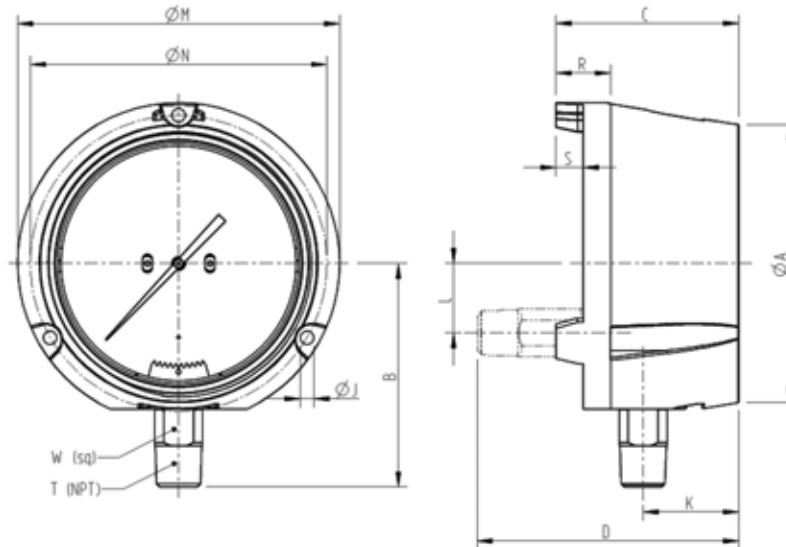
Fiberglass-reinforced thermoplastic (PBTP)
 Solid front, blowout back
 Turret-style case with built in rear flange lugs

Window

Clear acrylic with Buna-N gasket

Optional extras

- Panel mounting adaptor kit (field assembled)
- Cleaned to ASME B 40.100 level IV or Requested Specifications
- Special process connections
- Custom dial layout
- Safety Glass
- Dampening
- Receiver Scales
- Unique Configurations
- Diaphragm Seals and Anti-tamper
- High Corrosive Resistant Configurations
- Various Diaphragm seal fluids
- Optional Case Colors - Red, Yellow, Black
- NEMA 4 / IP65
- Pointer Stop @ 6:00 on the dial face



	A	B	C	D	J	K	L	M	N	R	S	T	W
mm	128.0	103.1	84.1	120.4	6.4	43.9	32.0	148.1	136.4	25.1	12.4	-	22.1
in	5.04	4.06	3.31	4.74	0.25	1.73	1.26	5.83	5.37	0.99	0.49	*1/2"	0.87

* Or 1/4"

Pressure Gauge Model / Nominal Size / Scale Range / Size of Connection / Optional Extras / Required Specifications and Dimensions given in this leaflet represent the state of engineering at the time of printing. Modifications may take place and materials specified may be replaced by others without prior notice.

3D Instruments, LP

2900 E. White Star Ave., Anaheim, California 92806 USA

Phone: (714) 399-9200

Internet: www.3dinstruments.com E-mail: cs@3dinstruments.com