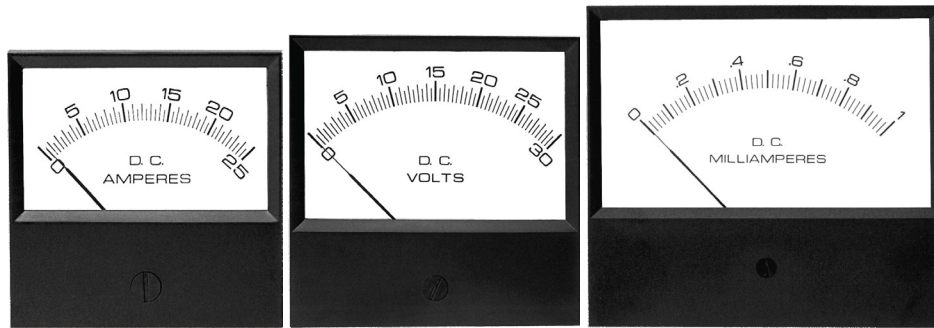




4000 Series

Phenolic and Glass Meters



2-1/2"
4025 ■ D.C. Moving Coil
4026 ■ A.C. Repulsion

3-1/2"
4035 ■ D.C. Moving Coil
4036 ■ A.C. Repulsion

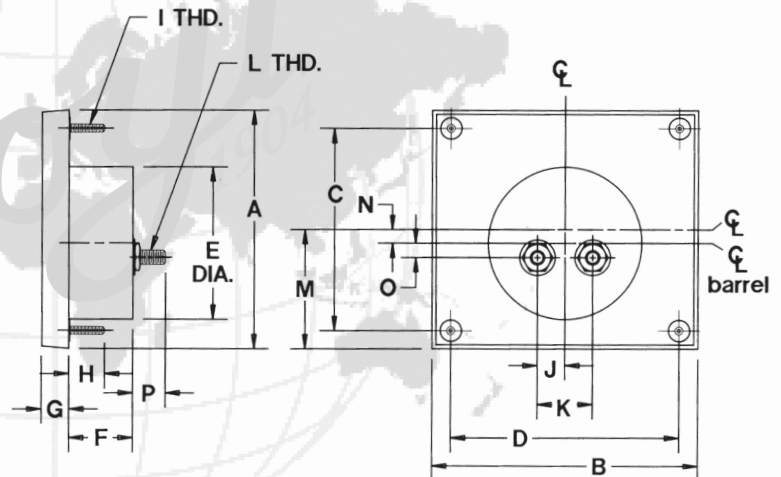
4-1/2"
4045 ■ D.C. Moving Coil
4046 ■ A.C. Repulsion

FEATURES

- Handsomely styled to meet the most demanding appearance requirements.
- This series conforms to the standards for 2-1/2", 3-1/2", 4-1/2" 4 hole mounting to provide for interchanging with other similar size meters.
- These are high quality instruments, available in AC and DC models including D'Arsonval 2% accuracy DC, AC repulsion and rectifier type movements.

NOTE:
 UL recognized version available.
 To order add - UL to model.

DIMENSIONS



MODELS	A	B	C	D	E	F	G	H	I	J	K	L	M	N	O	P
4025/26	2.38	2.38	1.88	1.88	2.16	1.11	0.47	0.50	4-48	0.48	0.97	10-32	1.19	0.00	0.00	0.50
4035/36	3.00	3.00	2.25	2.25	2.69	1.12	0.47	0.62	4-48	0.48	0.97	10-32	1.50	0.00	0.25	0.50
4045/46	4.20	4.66	3.56	4.00	2.69	1.12	0.47	0.62	6-32	0.48	0.97	10-32	2.10	0.24	0.25	0.50

HOW TO ORDER

To order Hoyt 4000 series panel meters, choose correct model and size, add range and scale.

Example: 3-1/2" DC shunt rated 0-100 Ammeter
P/N 4035-50MVDC-100ADC

To add UL option, change model to **4035-UL**