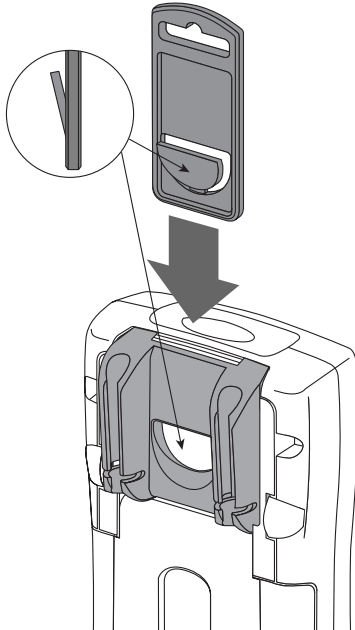


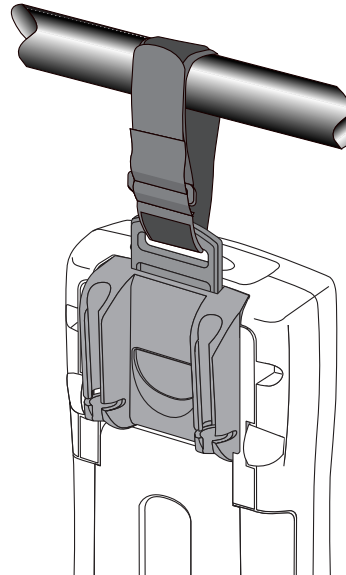
ToolPak™ for Fluke 80 Series IV Digital Multimeters

Hang your meter anywhere.

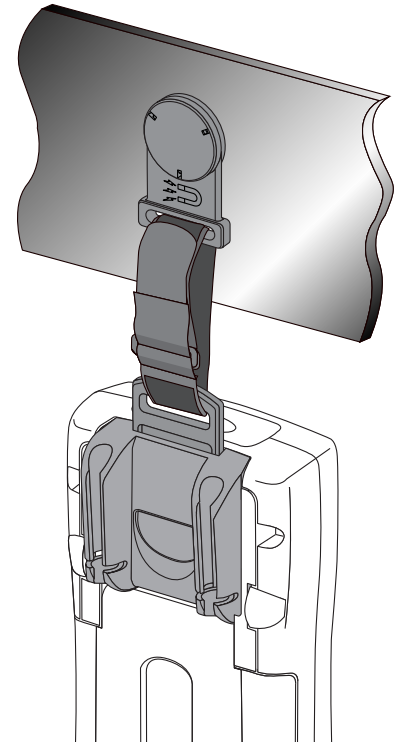
Hanger inserts into slot
tab extension facing out,
for proper use.



The universal hanger attaches to the meter and can be used by itself on a nail, hook, with a piece of rope or stiff wire.



Two hook-and-loop straps are used with the universal hanger and can be wrapped around a pipe or beam.



ToolPak's magnet is used with the universal hanger and is strong enough to securely hold your meter.

Now you can hang your meter almost anywhere with the new Fluke ToolPak™ accessories kit. Designed to work exclusively with the new Fluke 80 Series IV, ToolPak includes a universal hanger, a magnet, and 9-inch (43 cm) and 17-inch (23 cm) "hook-and-loop" hanger straps.

The universal hanger is designed to fit into the special module on the back of the new Fluke 87-IV and 89-IV meters. The universal hanger allows you to hang your meter on a nail, hook or other object. You can add a piece of rope, flexible wire or cable to hang the meter in almost any position.

The 9-inch (43 cm) and 17-inch (23 cm) hook-and-loop straps are used with Fluke's universal hanger to wrap around and connect to a pipe, beam or any other convenient support structure.

And finally, the special magnet accessory is designed to connect to either of the straps. The strong magnet accessory will attach to an electrical panel, a metal doorjamb or any other ferrous-type metal.

With the universal hanger, two hook-and-loop straps and the magnet, ToolPak solves almost any hanging and positioning problem you may face with your new 80 Series IV meter. Call your local Fluke distributor and ask for the ToolPak accessory kit.

Fluke. Keeping your world up and running.

Ordering Information

Model TPAK80-4: Includes the ToolPak accessories kit (universal hanger, hook-and-loop straps, magnet)

Need technical assistance? Call:

1-800-44-FLUKE

Toll-free in the U.S.

(905) 890-7600 in Canada

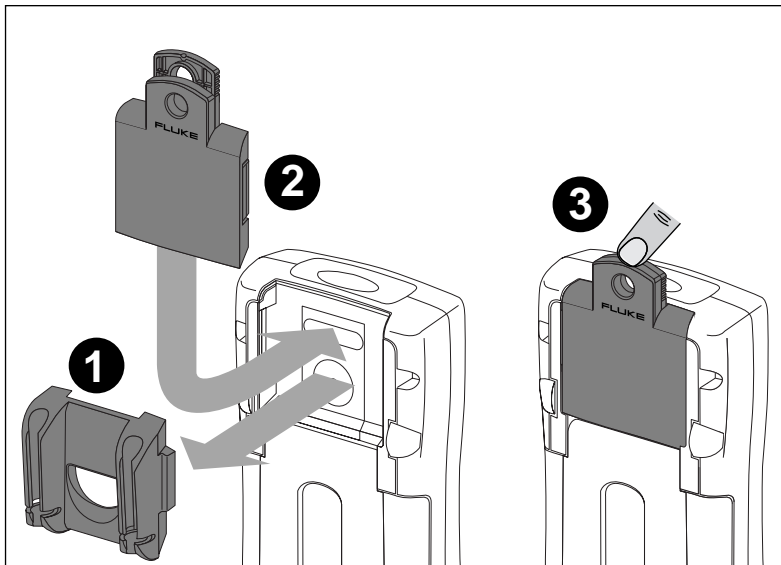
(425) 356-5500 other countries

For more information to be sent to you by fax, call 1-800-FLUKE-FAX in the U.S. and Canada. Or, visit our Website at <http://www.fluke.com>

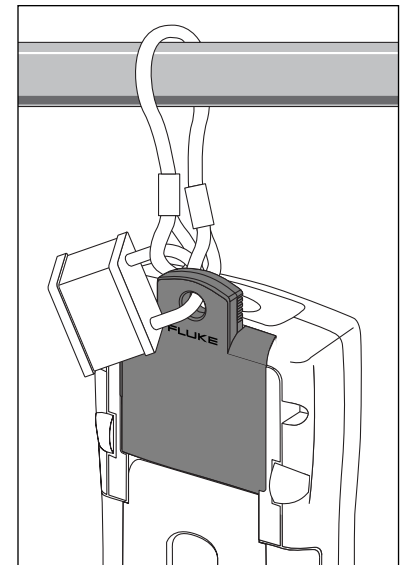
FLUKE®

LockPak™ for Fluke 80 Series IV Digital Multimeters

Don't let your meter walk away.



The LockPak accessory easily fits into the back of the meter, once the rubber probe holder is removed.



LockPak is a security accessory that lets you lock a Fluke 80 Series IV meter in place.

Now you can take long-term, unattended measurements without the fear of your meter being "borrowed." LockPak is a new security accessory that fits into the back of a Fluke 87-IV or Fluke 89-IV. When combined with a cable and padlock, the meter is secured in place to reduce the threat of theft or loss.

Made of polycarbonate, LockPak is very durable and should last for years.

LockPak is designed for use similar to lockout, tagout procedures, and is especially useful for long term, unattended logging situations with the Fluke 89-IV digital multimeter.

So don't let your new Fluke meter walk away. Be sure to purchase a Fluke LockPak accessory.

Fluke. *Keeping your world up and running.*

Ordering Information

TRANSCAT®

35 Vantage Point Drive
Rochester, NY 14624
1.800.800.5001

▶ Visit us at [Transcat.com!](http://www.transcat.com)

you by fax, call 1-800-FLUKE-FAX
in the U.S. and Canada. Or, visit our
Website at <http://www.fluke.com>