

Chatillon® CMA Series Digital Scales

TRANSCAT

▶ Visit us at Transcat.com!

35 Vantage Point Drive // Rochester, NY 14624 // Call 1.800.800.5001

Specification Sheet

SS-CMA-0310

March 2010

The CHATILLON® CMA Series digital scale is a precision weighing solution for high capacity weighing. The CMA Series is ideal for warehouse applications. The CMA Series is available in six capacities from 1320 lbs to 22,000 lbs (600 to 10,000 kg). All CMA Series have a measurement accuracy of better than 0.2% full scale. The scale features an easy-to-read, LED display that indicates measured values in either pounds (lbs) or kilograms (kg). A cast aluminum housing makes the CMA ideal for harsh environments. The CMA Series is powered using rechargeable battery pack. The scale can display the peak weight. You may add accessories and tare out their weight up to 100% of the scale's rated capacity. Operation is simple using the integral push-button style keys or using the optional wireless remote controller. The remote controller lets you change units, clear measurements, zero and tare out weight at a distance of up to 100 feet (30 m).

The CMA Series scale is supplied with hanging loop, S-hook, charger/adaptor with US, EU and UK plug adapter. The CMA Series is supplied with a Certificate of Conformance. An optionally available Certificate of Calibration with NIST is available.

Features

- Displays LB and Kg units of measure
- Rugged, Cast Aluminum Housing
- Bright, LED Display, Large View Area
- Wireless Remote Indicator can be located up to 100 ft (30 m) away from the measuring head
- Peak Weigh Capture
- 150% Safety Overload (500% Ultimate Overload)
- Rechargeable Battery
- 1 Year Warranty



Shown with standard Remote Controller. Perform scale functions up to 100m (300 ft) away.



AMETEK®

Chatillon®
Precision Weighing

Ordering

CMA Series w/ Conformance Cert

Model	Capacity	Capacity
CMA-1320	1320 lb x 0.5 lb	600 kg x 0.1 kg
CMA-2200	2200 lb x 0.5 lb	1000 kg x 0.2 kg
CMA-4400	4400 lb x 1 lb	2000 kg x 0.5 kg
CMA-6600	6600 lb x 2 lb	3000 kg x 1 kg
CMA-11K	11,000 lb x 2 lb	5000 kg x 1 kg
CMA-22K	22,000 lb x 5 lb	10,000 kg x 2 kg

CMA Series w/ NIST Cert

Model	Capacity	Capacity
CMA-1320-N	1320 lb x 0.5 lb	600 kg x 0.1 kg
CMA-2200-N	2200 lb x 0.5 lb	1000 kg x 0.2 kg
CMA-4400-N	4400 lb x 1 lb	2000 kg x 0.5 kg
CMA-6600-N	6600 lb x 2 lb	3000 kg x 1 kg
CMA-11K-N	11,000 lb x 2 lb	5000 kg x 1 kg
CMA-22K-N	22,000 lb x 5 lb	10,000 kg x 2 kg

Accessories

Part No.	Description
CMAI	Remote Controller
MA-Loop-S	Top Loop, 2000 lb capacity
MA-Loop-L	Top Loop, 5000 lb capacity
MA-Loop-X	Top Loop, 22,000 lb capacity
MA-Hook-S	Hook, 2000 lb capacity
MA-Hook-L	Hook, 5000 lb capacity
MA-Hook-X	Hook, 22,000 lb capacity
MA-Power	Charger/Adapter, Universal

Specifications

Accuracy: Better than 0.2% of full scale

Safe Overload: 150% of rated capacity

Ultimate Overload: 500% of rated capacity

Display: LED

Display Rate: 15Hz

Resolution: 3000:1

Data Sampling Rate: 60Hz

Power: Rechargeable Battery

Continuous Operation: 70 hrs (typical)

Key Pad: Switch Key-style (On/off, Units, Tare/Zero)

Operating Temperature: 32° to 104°F (0° to 40°C)

Storage Temperature: -4° to 104°F (-20° to 40°C)

Relative Humidity: 0 to 85%

RoHS Compliant: Yes

WEEE Compliant: Yes

Standard Accessories

Top Holding Loop

Bottom Swivel Hook (Permanently attached)

Battery Charger/Adapter

Certificate of Conformance

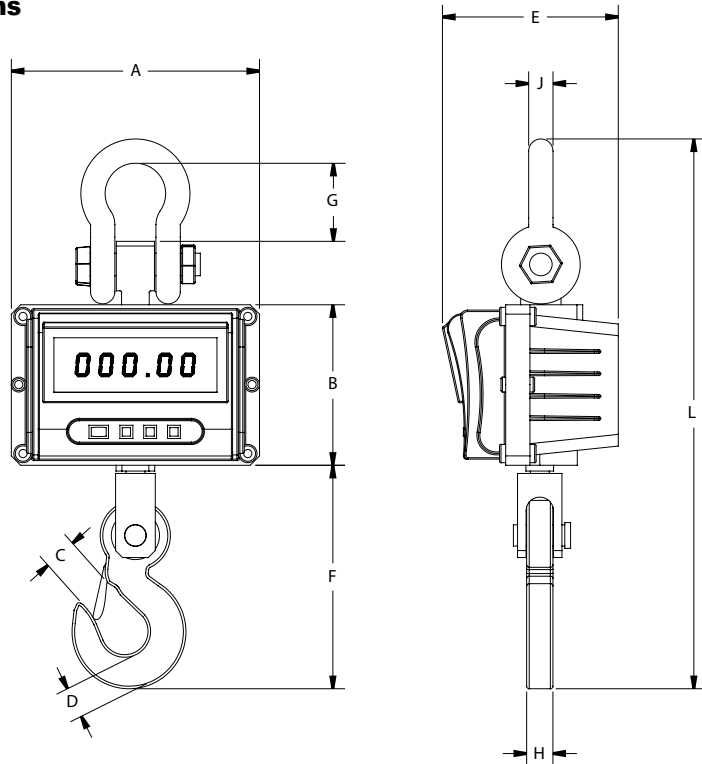
User Guide

Instrument Weights

Model	Instrument	Shipping
CMA-1320	34 lbs (16 kg)	37 lbs (17 kg)
CMA-2200	34 lbs (16 kg)	37 lbs (17 kg)
CMA-4400	39 lbs (18 kg)	42 lbs (19 kg)
CMA-6600	42 lbs (19 kg)	46 lbs (21 kg)
CMA-11K	66 lbs (30 kg)	70 lbs (32 kg)
CMA-22K	90 lbs (41 kg)	95 lbs (43 kg)

Note: Weights are approximate.

Dimensions



Inches

Model	A	B	C	D	E	F	G	H	J	L
CMA-1320	10.63"	6.77"	1.97"	1.85"	7.53"	9.56"	3.26"	1.12"	0.98"	24.02"
CMA-2200	10.63"	6.77"	1.97"	1.85"	7.53"	9.56"	3.26"	1.12"	0.98"	24.02"
CMA-4400	10.63"	6.77"	1.97"	1.85"	7.53"	9.56"	3.26"	1.12"	0.98"	24.02"
CMA-6600	10.63"	6.77"	1.97"	1.85"	7.53"	9.56"	3.26"	1.12"	0.98"	24.02"
CMA-11K	11.69"	7.32"	1.97"	1.97"	9.25"	12.2"	4.53"	1.58"	1.18"	28.94"
CMA-22K	11.69"	7.32"	2.17"	2.76"	9.25"	14.9"	5.12"	1.65"	1.50"	33.27"

mm

Model	A	B	C	D	E	F	G	H	J	L
CMA-1320	270	172	50	47	191	243	83	28	25	610
CMA-2200	270	172	50	47	191	243	83	28	25	610
CMA-4400	270	172	50	47	191	243	83	28	25	610
CMA-6600	270	172	50	47	191	243	83	28	25	610
CMA-11K	297	186	50	50	235	310	115	40	30	735
CMA-22K	297	186	55	70	235	380	130	42	38	845

AMETEK

MEASUREMENT & CALIBRATION TECHNOLOGIES

For the authorized Chatillon Distributor or Manufacturer's Representative near you, go to www.chatillon.com

© 2010 by AMETEK, Inc.

Information within this document is subject to change without notice.

ISO 9001/2000
ISO/IEC 17025
Manufacturer

TRANSCAT

Visit us at Transcat.com!

35 Vantage Point Drive // Rochester, NY 14624 // Call 1.800.800.5001