

Type 1009SW Stainless Case Gauge with Stainless Steel System



FEATURES

- Patented PowerFlex™ movement
- All stainless steel welded construction
- 1% full scale accuracy, ASME Grade 1A
- True Zero™ pointer indication
- NEW ventable plug
- NEW patent pending through-dial calibration
- NEW MSL helium leak tested to 1×10^{-6} ATM -cc/sec
- Meets ASME B40.100 and EN837-1 standards
- RoHS Compliant
- CRN Approved
- 5 year limited warranty

Ashcroft is pleased to reintroduce the 1009SW Duralife® pressure gauge. This gauge has been upgraded with many new features outlined above while maintaining the tried and true performance and quality you have come to expect.

Duralife 1009SW gauges provide significant features and benefits. New features include a ventable plug that can be sealed or vented depending on your environment and a patent pending through-dial recalibration that reduces recalibration time.

The combination of features including the patented PowerFlex™ movement and optional PLUS!™ Performance dampening system in the Ashcroft Duralife 1009SW gauge is the finest gauge technology for vibration, shock and pulsation applications. Available in pressure ranges from vacuum to 15,000 psi, including compound and metric ranges.

PRODUCT SPECIFICATIONS

Ashcroft Type No.:	1009SW
Sizes:	2½", 3½"
Case:	304SS
Ring:	304SS polished bayonet
Window:	Polycarbonate
Dial:	Black figures on white background, aluminum
Pointer:	Friction adjust, black, aluminum
Bourdon Tube:	316L stainless steel C-Shaped (Vacuum-600 psi and compound) Helical (1000-15,000 psi)
Socket:	316L Stainless Steel
Movement:	300 series stainless steel, PowerFlex™, polyester segment, overload/underload stops
Connections:	¼ and ½ NPT, lower or lower back, ½ NPT lower (3½") only.
Ranges:	Vac-15,000psi and compound
Accuracy:	1% full scale. ASME Grade 1A
Fill Plug:	Ventable
Protection:	Nema 4X / IP65 plug sealed Nema 3 / IP54 plug vented
Ambient Temperature Limitations:	-40°F to 200°F dry +20°F to 150°F glycerin filled -40°F to 150°F silicone filled (based on standard polycarbonate window)
OPTIONAL FEATURES	
Liquid fill:	Glycerin, Silicone, Halocarbon (includes throttle plug)
Dampening:	PLUS!™ Performance (LL) (includes throttle plug)
Window:	Safety Glass (SG)
Pointer:	Micrometer (MP)
Connections:	Metric and SAE
Mounting:	U-clamp (UC), Front flange (FF), Back flange (FW)
Dials:	Receiver ranges, refrigerant ranges. Custom dials

HOW TO ORDER (Typical example)

Dial Size: 2½" (25), 3½" (35) _____ 35 1009 SW (L) 02L XXX 100#

Case Type: 1009 _____

Tube and Socket Material: 316L SS _____

Liquid Filled: (glycerin) leave blank if dry _____

Connection Size: ¼ (01), ½ (02), ¾ (04) 3½" only _____

Connection Location: Lower (L), Lower Back (B) _____

Options: _____

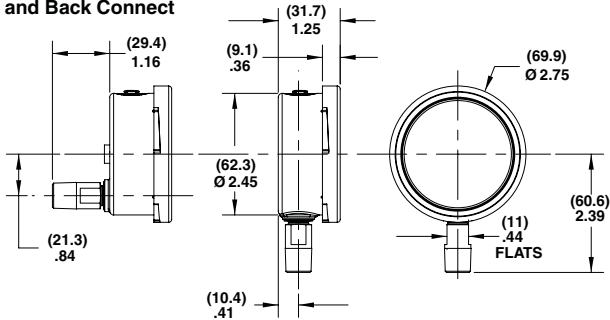
Range: 0/100 psi _____

Type 1009SW Stainless Case Gauge with Stainless Steel System

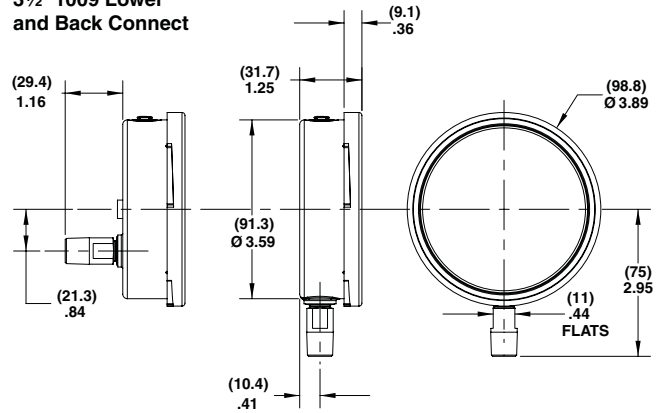


DIMENSIONS

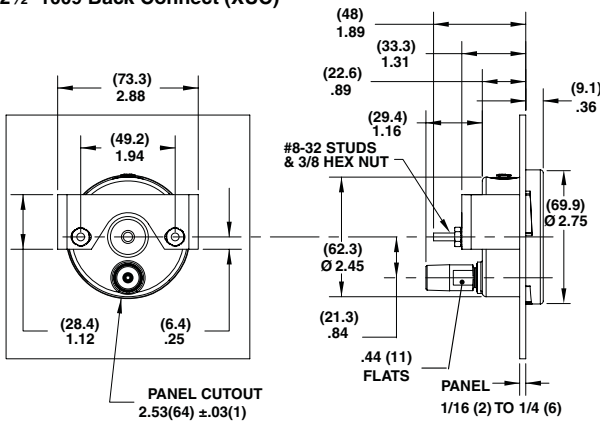
2½" 1009 Lower and Back Connect



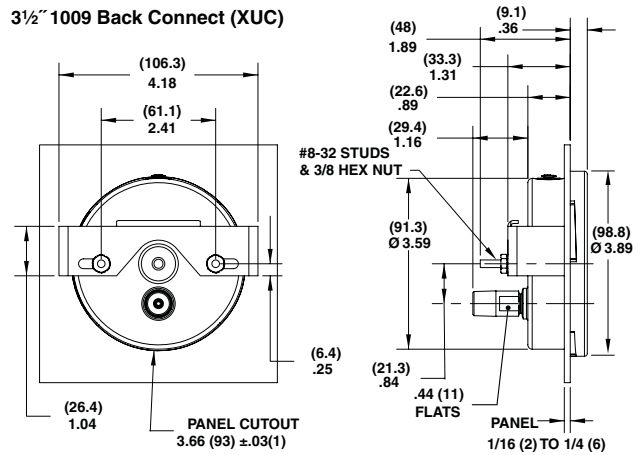
3½" 1009 Lower and Back Connect



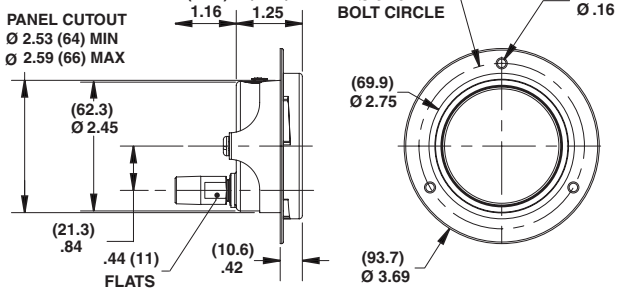
2½" 1009 Back Connect (XUC)



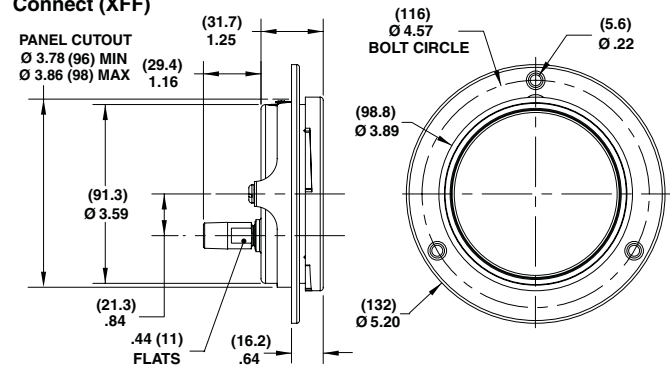
3½" 1009 Back Connect (XUC)



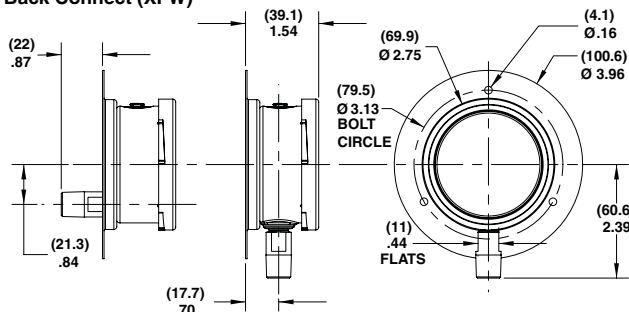
2½" 1009 Back Connect (XFF)



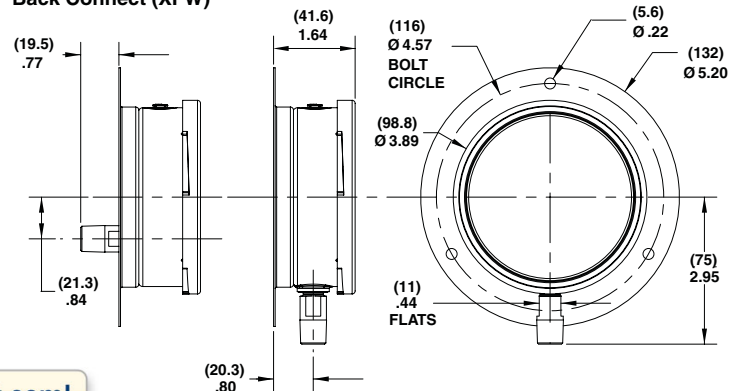
3½" 1009 Back Connect (XFF)



2½" 1009 Lower and Back Connect (XFW)



3½" 1009 Lower and Back Connect (XFW)



▶ Visit us at Transcat.com!

35 Vantage Point Drive // Rochester, NY 14624 // Call 1.800.800.5001