

Keysight 772D, 773D Directional Couplers

2 to 18 GHz

Technical Overview



Introduction

New Performance Standards in Microwave Couplers

The Keysight Technologies, Inc. 772D dual directional coaxial coupler and 773D directional coupler are high directivity couplers designed for broadband swept reflectometer measurements and leveling applications in the 2 to 18 GHz frequency range. With their wide frequency coverage, one of these couplers can replace several couplers without performance degradation, thus adding convenience and economy by reducing setup and calibration time. The high directivity and low main line SWR make it possible to achieve excellent source match. The smaller size and light weight of the 773D directional coupler make it much easier to use on the bench. The addition of threaded mounting holes makes it an ideal candidate for use inside equipment in leveling loop applications. Low SWR and flat coupling variation from 2 to 18 GHz and high power capability make these couplers ideal for your most demanding measurement needs.

	Keysight 772D	Keysight 773D
Description	Dual directional coupler	Directional coupler
Frequency range	2 to 18 GHz	2 to 18 GHz
Minimum directivity	39 dB (0.1 – 2 GHz) typical 30 dB (2 – 12.4 GHz) 27 dB (12.4 – 18 GHz) 20 dB (18 – 20 GHz) typical	39 dB (0.1 – 2 GHz) typical 30 dB (2 – 12.4 GHz) 27 dB (12.4 – 18 GHz) 21 dB (18 – 20 GHz) typical
Maximum main line SWR	1.05 (0.1 – 2 GHz) typical 1.28 (2 – 12.4 GHz) 1.40 (12.4 – 18 GHz) 1.29 (18 – 20 GHz) typical	1.04 (0.1 – 2 GHz) typical 1.21 (2 – 12.4 GHz) 1.27 (12.4 – 18 GHz) 1.16 (18 – 20 GHz) typical
Maximum coupled line SWR	1.08 (0.1 – 2 GHz) typical 1.30 (2 – 12.4 GHz) 1.40 (12.4 – 18 GHz) 1.17 (18 – 20 GHz) typical	1.07 (0.1 – 2 GHz) typical 1.30 (2 – 12.4 GHz) 1.40 (12.4 – 18 GHz) 1.17 (18 – 20 GHz) typical
Nominal coupling (dB)⁴	20 ± 1 dB (2 – 18 GHz)	20 ± 1 dB (2 – 18 GHz)
Max. coupling variation with Freq.⁴	<±1.0 dB or 2 dB peak-to-peak (2 – 18 GHz)	<±1.0 dB or 2 dB peak-to-peak (2 – 18 GHz)
Tracking between auxiliary arms	<±0.7 dB ^{1,2}	N/A ²
Maximum main line residual loss	<0.26 dB (0.1 – 2GHz) typical <1.5 dB (2 – 18 GHz)	<0.15 dB (0.1 – 2 GHz) typical <0.9 dB (2 – 18 GHz) <0.9 dB (18 – 20 GHz) typical
Main line power handling	0.1–2 GHz 100 W (50 dBm) average typical 250 W (54 dBm) peak ³ typical 2–18 GHz 50 W (47 dBm) average 50 W (47 dBm) average 250 W (54 dBm) peak ³ 18–20 GHz N/A	100 W (50 dBm) average typical capability 250 W (54 dBm) peak ³ typical 250 W (54 dBm) peak ³
	50 W (47 dBm) average typical N/A	250 W (54 dBm) peak ³ typical
Net weight	2.6 kg	0.8 kg
Dimensions (cm)	39.1 (L) x 13.34 (W) x 4.13 (H)	18.4 (L) x 10.5 (W) x 3.0 (H)

1. With test port shorted and not including source match ripple.
2. Typical relative tracking between 772D and 773D is <±0.7 dB.
3. Peak power duration of 10 μs
4. Nominal coupling = (Max. coupling + Min. coupling)/2

Connectors

Keysight 772D

Test port APC-7; input, incident, and reflected ports Type-N (F)

Keysight 773D

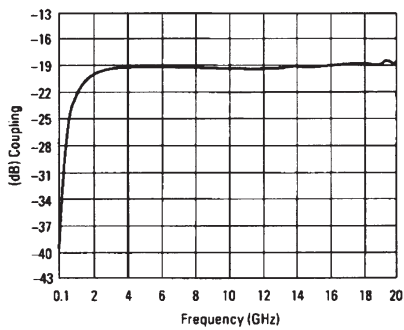
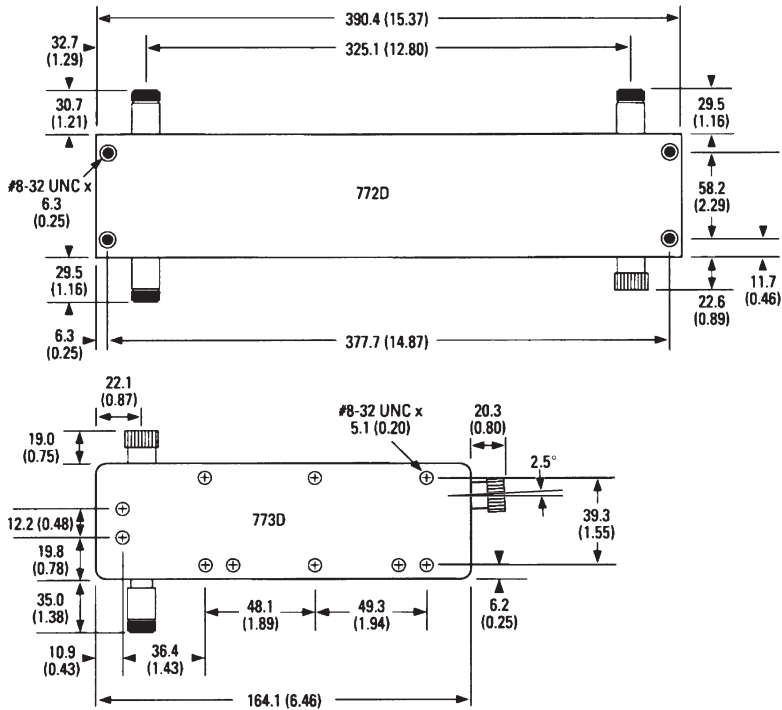
Input and output ports APC-7; coupled port Type-N (F)

Keysight 772D, 773D Option 001

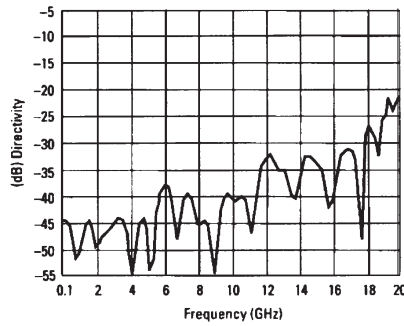
All connectors Type-N (F)

Outline Drawings

Dimensions in millimeters (inches)



Typical coupling

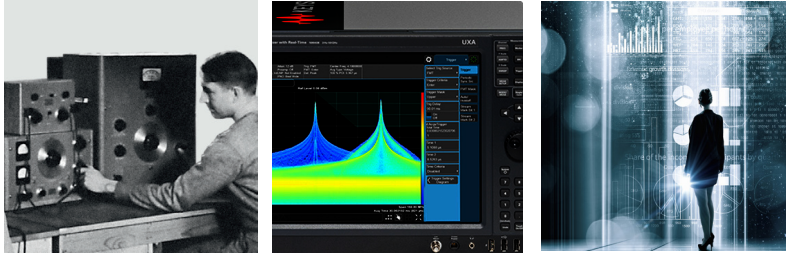


Typical directivity

Evolving Since 1939

Our unique combination of hardware, software, services, and people can help you reach your next breakthrough. We are unlocking the future of technology.

From Hewlett-Packard to Agilent to Keysight.



myKeysight

myKeysight

www.keysight.com/find/mykeysight

A personalized view into the information most relevant to you.

www.keysight.com/find/emt_product_registration

Register your products to get up-to-date product information and find warranty information.

KEYSIGHT SERVICES

Accelerate Technology Adoption.
Lower costs.

Keysight Services

www.keysight.com/find/service

Keysight Services can help from acquisition to renewal across your instrument's lifecycle. Our comprehensive service offerings—one-stop calibration, repair, asset management, technology refresh, consulting, training and more—helps you improve product quality and lower costs.



Keysight Assurance Plans

www.keysight.com/find/AssurancePlans

Up to ten years of protection and no budgetary surprises to ensure your instruments are operating to specification, so you can rely on accurate measurements.

Keysight Channel Partners

www.keysight.com/find/channelpartners

Get the best of both worlds: Keysight's measurement expertise and product breadth, combined with channel partner convenience.

www.keysight.com/find/mta

For more information on Keysight Technologies' products, applications or services, please contact your local Keysight office. The complete list is available at:

www.keysight.com/find/contactus

Americas

Canada	(877) 894 4414
Brazil	55 11 3351 7010
Mexico	001 800 254 2440
United States	(800) 829 4444

Asia Pacific

Australia	1 800 629 485
China	800 810 0189
Hong Kong	800 938 693
India	1 800 11 2626
Japan	0120 (421) 345
Korea	080 769 0800
Malaysia	1 800 888 848
Singapore	1 800 375 8100
Taiwan	0800 047 866
Other AP Countries	(65) 6375 8100

Europe & Middle East

Austria	0800 001122
Belgium	0800 58580
Finland	0800 523252
France	0805 980333
Germany	0800 6270999
Ireland	1800 832700
Israel	1 809 343051
Italy	800 599100
Luxembourg	+32 800 58580
Netherlands	0800 0233200
Russia	8800 5009286
Spain	800 000154
Sweden	0200 882255
Switzerland	0800 805353
	Opt. 1 (DE)
	Opt. 2 (FR)
	Opt. 3 (IT)
United Kingdom	0800 0260637

For other unlisted countries:

www.keysight.com/find/contactus
(BP-9-7-17)

DEKRA Certified
ISO 9001 Quality Management System

www.keysight.com/go/quality

Keysight Technologies, Inc.
DEKRA Certified ISO 9001:2015
Quality Management System



This information is subject to change without notice.
© Keysight Technologies, 2013 - 2017
Published in USA, December 1, 2017
5959-8753
www.keysight.com