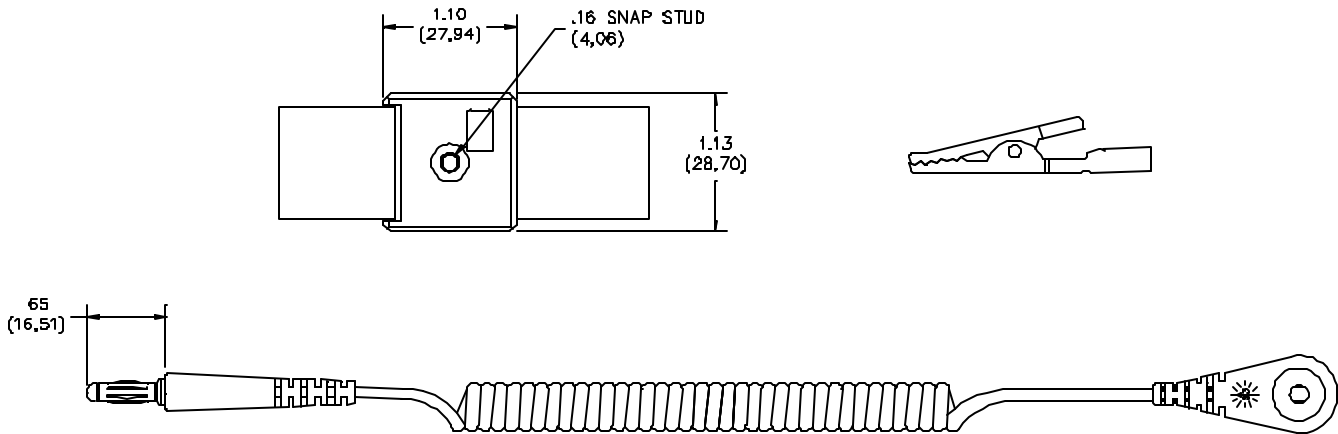


Pomona®

Model 6082 Elastic Wrist Strap With Clip & Cord



FEATURES:

- A complete wrist strap kit features the adjustable metal wrist strap.
- Also included: Resistive Coil Cord (1M Ohm resistor molded in) extendable to 6 feet with a Straight Banana Plug and Alligator Clip.

MATERIALS:

Wrist Strap

Body: Impact resistant plastic, Blue

Strap: Elastic Fibers with Silver Plated Nylon yarn. Circumference: 64,0 (2.50) Min., 330,0 (13.00) Max.

Snap and Cam: Stainless Steel

Anti-Static Ground Cord

Body: Plug – Brass, Nickel Plate

Insulation: Banana Plug – Thermoplastic Elastomer, Black

Cord: Coiled Tinsel Cord, Vinyl Jacket, 2,5 (.10) O.D.

Body: Snap – Brass, Nickel Plate. 3,2 (.12) I.D.

Insulation: Snap – Thermoplastic Elastomer, Black

Alligator Clip

Body: Brass, Nickel Plate

ORDERING INFORMATION: Model 6082

Packaging: One Metal Wrist Strap with Instruction Sheet, Alligator Clip, and Anti-Static Ground Cord per bag.

All dimensions are in inches. Tolerances (except noted): .xx = ±.02" (.51 mm), .xxx = ± .005" (.127 mm).

All specifications are to the latest revisions. Specifications are subject to change without notice.

Registered trademarks are the property of their respective companies. Made in USA

