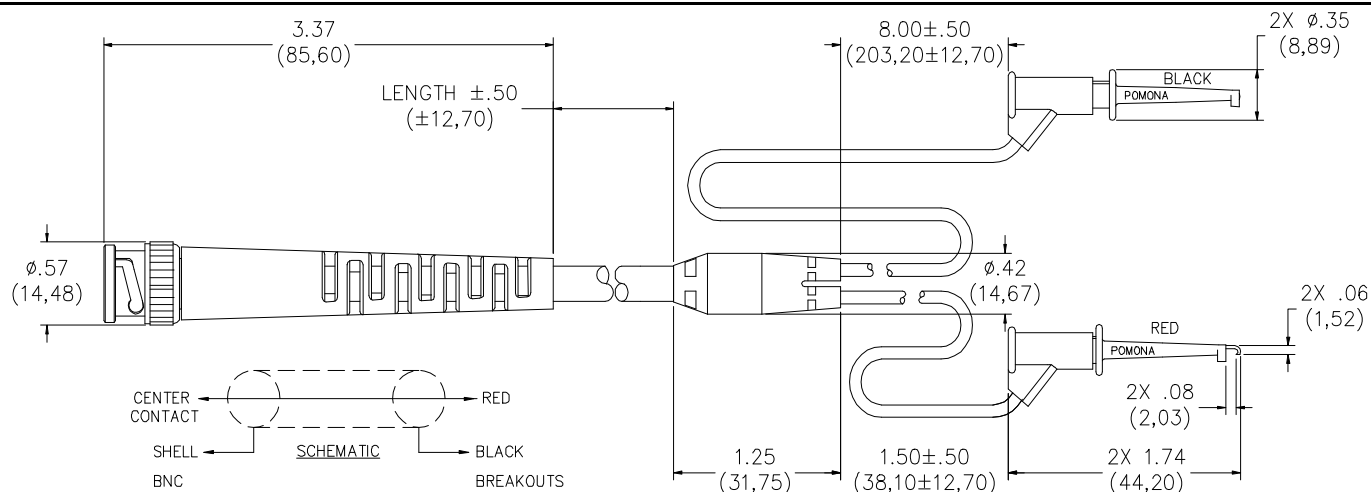


Pomona®

Model 4777 BNC (Male) With Strain Relief To Micrograbber® Test Clips



FEATURES:

- BNC, grabbers and breakout wires are molded directly to the cable for added pull strength.
- Micrograbber® Test Clip hook is gold plated beryllium copper for durability and low contact resistance.
- BNC connector features PTFE dielectric and gold plated center contact for optimal electrical performance and BNC body is tarnish resistant.

BNC (Male): Body: Brass, Nickel Plated
Center Pin: Brass, Gold Plated
Dielectric: PTFE
Impedance: 50 Ohms

Strain Relief and Molded Breakout: PVC, Color: Black

Breakout Wires: 20 AWG Stranding 41 x 36 t. c., PVC Insulated, .087" (2,21 mm) O.D.

Color: One Black, One Red Marking: Pomona 3785-X-xx

Micrograbber: Contact, Beryllium Copper, Gold Plated

Spring, Stainless Steel

Insulation: Nylon 6 (Fire Retardant UL94V-0), Color Matches Wire Color

CABLE OFFERING:

Cable RG58C/U	Cable: RG174/U
Part Number: 4777-C-xx	Part Number: 4777-K-xx
Capacitance per Ft.: 30.8	Capacitance per Ft.: 30.8
Impedance: 50 Ohms Nominal	Impedance: 50 Ohms Nominal
Cable O.D. 0.195" (5,0 mm) Nominal	Cable O.D.: 0.100" (2,5 mm) Nominal

RATINGS:

Operating Voltage: 150 VRMS/VAC Max

Operating Temperature: 50°C (+122°F) Max.

ORDERING INFORMATION: Model 4777-X-xx, X = Cable Type, C = RG58C/U, K = RG174/U
xx = Length in inches. Std. Lengths: 24" (60,96 cm) , 36" (91,44 cm) , 48" (121,92 cm) & 60" (152,40 cm)
Additional cable lengths can be quoted upon request.

All dimensions are in inches. Tolerances (except noted): .xx = ±.02" (.51 mm), .xxx = ±.005" (.127 mm).

All specifications are to the latest revisions. Specifications are subject to change without notice.

Registered trademarks are the property of their respective companies. Made in USA