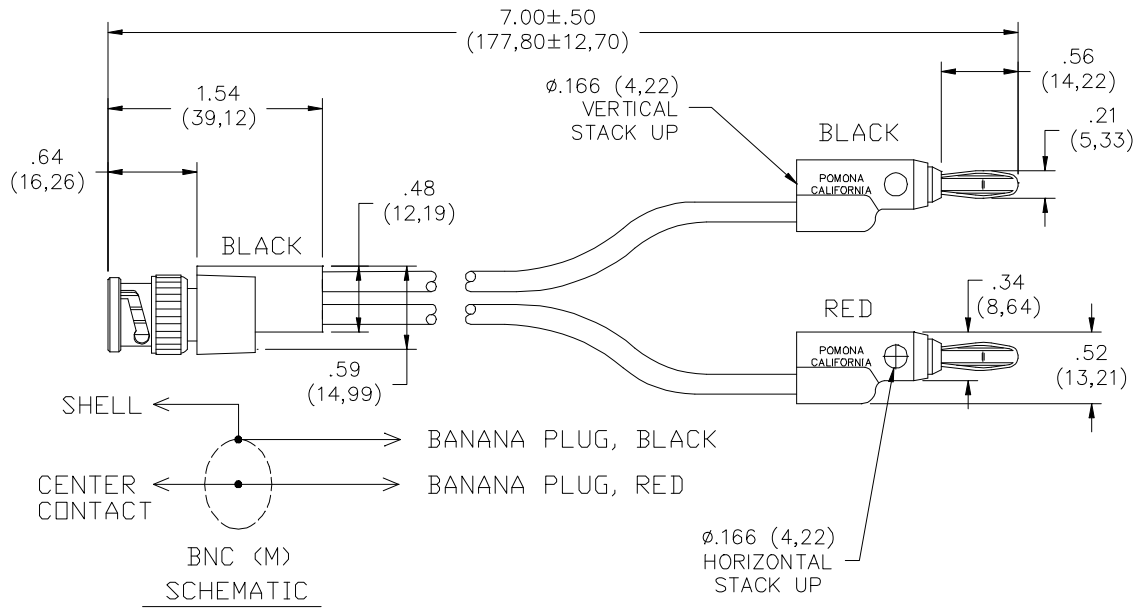


Pomona®

Model 3957 BNC (Male) To Multi-Stacking Banana Plugs



FEATURES:

- Converts BNC (Female) cables/connectors to top/side stackable banana plugs for test versatility.
- BNC connector and banana plugs are molded directly to the wire for pull strength durability and dust/moisture resistance.
- BNC dielectric is PTFE for superior temperature performance
- BNC center contact is gold plated for corrosion resistance, low contact resistance and long insertion life.

Marking: “POMONA 3957”

Banana Plugs: Body – Brass Nickel Plated
Spring – Beryllium Copper, Nickel Plated
Insulation: Polypropylene Color: One Red, One Black

RATINGS:

Operating Voltage: Hand-Held testing:
30VAC/60VDC Max.
Hands free testing in controlled
voltage environments: 500 VRMS Max.
Operating Temperature: +55°C (+131°F) Max.

MATERIALS:

BNC: Body - Brass, Nickel Plated
Center Contact – Brass, Gold Plated.
Dielectric: PTFE
Wire: 18 AWG, Stranding 65 x 36 T.C., PVC
Insulated, .144” (3,66mm) O.D., Color matches
banana plugs

ORDERING INFORMATION: Model 3957

All dimensions are in inches. Tolerances (except noted): .xx = ±.02” (.51 mm), .xxx = ± .005” (.127 mm).
All specifications are to the latest revisions. Specifications are subject to change without notice.
Registered trademarks are the property of their respective companies.

Made in USA