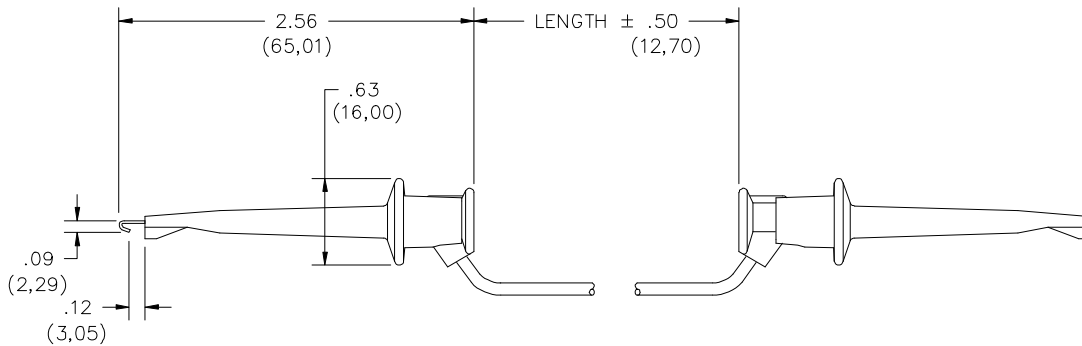


# Pomona®

**Model 3781 & 5523 Kit  
 Minigrabber® Test Clip Each  
 End Patch Cord Kit**



**FEATURES:**

- Ideal for providing temporary jumper wires.
- Provides excellent connector to terminals and wire wrap posts.

**MATERIALS:**

Conn: 1<sup>ST</sup> End – Minigrabber® Test Clip.  
 Material: Contact - Beryllium Copper, Alloy 165 per QQ-C-533  
 Spring – Stainless steel, Alloy 302.  
 Finish: Contact – Gold plated per MIL-G-45204, Type I, Class 00  
 Insulation: Glass filled nylon. Color matches color of wire.  
 Wire: 20 AWG, stranding 41 x 36 t.c., PVC insulated, 2.21 (.087) O.D.  
 Marking: “POMONA 3781-\*”  
 Color: See Ordering Information.  
 Conn: 2<sup>nd</sup> End: Same as first end

**RATINGS:**

Operating Temperature: +102°C. (+216°F.) Max.  
 Voltage: Hand-held testing 30VAC/60VDC Max.  
 Hands free testing in controlled voltage environments 300 WVDC Max.  
 Current: 5 Amperes

**ORDERING INFORMATION: Model 3781-XX-\***

XX-\* = Cable Lengths, Standard Lengths: 8” (203), 12” (305), 18” (457) 24” (610), 36” (914), 48” (1219) & 60” (1524). Additional lengths can be quoted upon request.  
 \*= Color, -0 Black, -2 Red, -1 Brown, -3 Orange, -4 Yellow, -5 Green, -6 Blue, -7 Violet, -8 Gray, -9 White.  
 Ordering Example: 3781-60-2 Indicates 60” in length, color is Red.

**ORDERING INFORMATION: Model 5523 Kit**

Kit containing 10 pieces of Model 3781-24, one of each color.

All dimensions are in inches. Tolerances (except noted): .xx = ±.02” (.51 mm), .xxx = ± .005” (.127 mm).  
 All specifications are to the latest revisions. Specifications are subject to change without notice.  
 Registered trademarks are the property of their respective companies. Made in USA