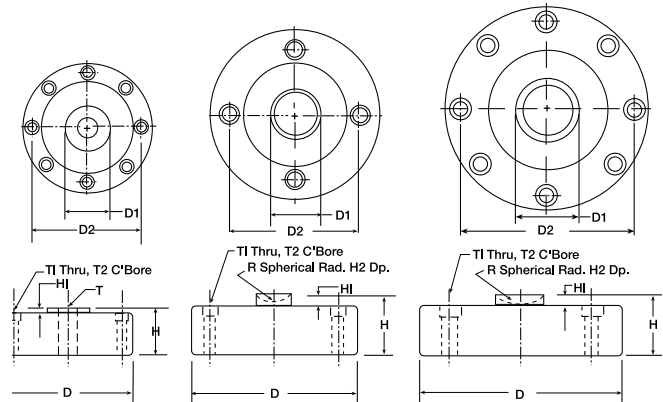


RL90000 Compression* Disk, Alloy Steel, IP67



Picture is a representation of actual product
25,000 lb model shown. Load cup sold separately on 5,000 and 10,000 lb models.



SPECIFICATIONS

Full Scale Output:

4.0 mV/V

Output Resistance:

350 ohms +/- 3 (5K - 50K)
700 ohms +/- 5 (100K)

Input Resistance:

385 ohms +/- 5 (5K - 50K)
770 ohms +/- 70 (100K)

Material/Finish:

High-alloy steel, nickel plated

Temperature:

Compensated range
14°F to 104°F/-10°C to 40°C

Safe Overload:

150% Full scale

Safe Sideload:

100% Full scale

Rated Excitation:

15V DC (15V maximum)

Nonlinearity

0.05% Full scale

Hysteresis:

0.02% Full scale

Insulation Resistance:

2000 megohms

Seal Type:

Environmentally sealed

Cable Length:

50'/15.2m

Cable Diameter:

.200 polyurethane jacket 5k-25k
.305 polyurethane jacket 50k-100k

Cable Color Code:

Red + Excitation
Black - Excitation
Green + Signal
White - Signal

Warranty:

Two-year limited warranty

Approvals:



DIMENSIONS

RATED CAPACITY	T	R	D	D1	D2	H	H1	H2	T1	T2
lb/inches										
5000*-10,000*	5/8-18UNF-3B	—	4.12	1.26	3.50	1.37	.12	—	.28	.406 x .283 DP
25,000-50,000	—	.875	4.75	1.53	4.00	2.12	.50	.30	.34	.508 x .38 DP
100,000	—	.875	5.50	1.98	4.60	2.25	.25	.30	.41	.626 x .4 DP
kg/mm										
2268.0*-4539.9*	5/8-18UNF-3B	—	104.6	32.0	88.9	34.8	3.05	7.6	7.2	10.3 x 7.2 DP
11,339.8-22,679.7	—	22.2	120.7	38.9	101.6	53.8	12.7	7.6	8.7	12.9 x 9.7 DP
45,359.4	—	22.2	139.7	50.4	116.8	57.2	6.4	7.6	10.3	10.3 x 10.2 DP

ORDER INFORMATION

LOAD RATING	PART #	PRICE
*5000 lb (2268.0 kg)	33061	Consult
*10,000 lb (4535.9 kg)	33062	Consult
25,000 lb (11,339.8 kg)	33063	Consult
50,000 lb (22,679.7 kg)	33064	Consult
100,000 lb (45,359.4 kg)	33065	Consult
*Load Cup	33616	Consult

*5000 lb and 10,000 lb models can be used in compression and tension load applications.

Load cup, part # 33616, is required for compression applications on 5000 lb and 10,000 lb capacity load cells.

INTERCHANGEABLE PRODUCTS

MANUFACTURER	MODEL	PAGE #
VPG Celtron	LCD	210