



**MODEL 30EBX25
30EBX50
30EFX25**
WELL TYPE MANOMETER

TRANSCAT®

▶ Visit us at Transcat.com!

35 Vantage Point Drive // Rochester, NY 14624 // Call 1.800.800.5001

DESCRIPTION

The Meriam Model 30EBX25 and 30EFX25 well type manometer are direct reading manometers designed for process, general purpose production testing, or laboratory measurement of pressures, vacuums, or differential pressures.

Designed for a maximum operating pressure of 250 PSIG,* these instruments can also be used to measure flow, tank level, and pressure drop or distribution across operating equipment. Raised wells can be furnished so positive and negative pressures or reversing flow can be indicated without changing the pressure connections. Various mounting styles to satisfy installation requirements are available.

*Model for 500 psi is 30EBX50

CONSTRUCTION

The manometer body is of aluminum channel construction. Stainless steel end blocks, for packing the glass indicating tube, are screwed to the body. The 7/16" outside diameter glass tubing is yoke packed with viton gaskets at each end block and is supported at spaced intervals to prevent tube distortion.

The welded stainless steel manometer well has a large cross section and is readily removable for greatest ease in cleaning. Two 1/4" female pipe connections are provided on the top side of the well; one outlet is normally used for the high pressure manometer connection, while the other, provided with a plug, is used as the well fill connection.

The unit scale, located directly behind the glass indicating tube, extends the full width of the instrument body and is graduated on each side of the indicating column. This scale has a white, non-glare, satin background with black graduations and figures, and is compensated for liquid level change within the manometer well. The scale is adjustable for zero indicating fluid level by means of a non-slip, flexible shaft adjustment located in the lower end block and operated from the front of the instrument.

A transparent plexiglass cover protects the unit from dust and moisture. All exterior portions of the manometer are finished in textured, black urethane paint.

Standard pressure connections in the upper end block and at the manometer well for connecting the instrument are 1/4" female pipe connections. Suitable drain, fill and vent plugs are furnished with each unit.



Meriam Model 30EFX25 TM
Vernier Model

CONFIGURATOR

30 XXX XX - XXX - XX - X - XX - X - XX - X - XX - X

Well Type

Model

EBX
EFX (vernier)

Max. Operating Pressure

25-250 PSI
50-500 PSI

Range

6*, 12*, 20, 30, 35, 40, 50, 60, 80, 100 inches

Scale

- 01 - A Inches & tenths
- 02 - H Inches & tenths of water using 175 Blue Fluid
- 03 - G Inches & tenths of water using 827 Red Oil
- 04 - B Inches of water using Mercury
- 05 - C Pounds and tenths (PSI) using Mercury
- 06 - F Centimeters & Millimeters
- 07 - I Inches & fifths using 295 Red Fluid
- 08* - A/B Duplex - inches & tenths (left) inches of water using Mercury (right)
- 09* - A/F Duplex - Inches & tenths (left) centimeters & millimeter (right)
- 10* - A/C Duplex - Inches & tenths (left) pounds & tenths (PSI) using Mercury (right)
- 11* - B/C Duplex - Inches of water using Mercury (left) pounds & tenths (PSI) using Mercury (right)
- 12 - Special
- 13 - No scale

*not Available or Special in EFX (vernier) Model

Moisture Proof option – consult factory.

Hand Pump

0 – Omit
1 – Hand Pump

Level

00 – Omit
01 – Level

Magnifier

0 – Omit
1 – Magnifier

Check Valve

00 – Omit
01 – 942K50
02 – 942KW50
(mercury under water)

Return Well

0 – Omit
1 – Return Well
934H50

Valve & Piping

00 – Omit
01 – Steel 943AC300
02 – Stainless
943AS300

Mounting

1 – Wall mounting
2 – Table mounting
3 – Pipe mounting
4 – Flush front

ADDITIONAL ACCESSORIES

Scales

- KPA Kilopascals using Mercury
- MB Centimeters of water using mercury
- MBAR Millibars using Mercury
- MC Kilograms per square centimeter using Mercury
- MI Centimeters of water using 295 Fluid

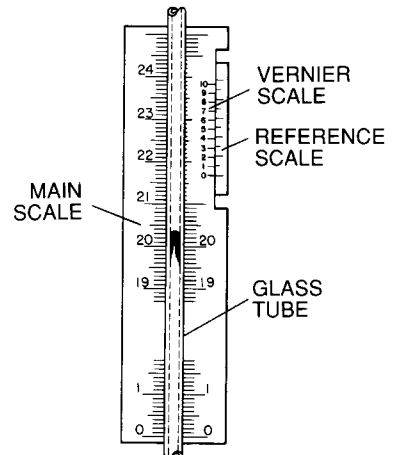
- Bubbler - model 931R or 931S
- Line Trap - model 932R or 932S
- Moisture Trap - model 933A10
- Pressure/Vacuum Variator - model 971A3
- Tank Gauge Accessories
- Pipe Saddle - model 912S
- Raised Well

AVAILABLE FLUIDS

- 921A - Mercury
- 922WA - 1000 Green Concentrate
- 923RO - 827 Red Oil
- 923RU - 100 Red Unity Oil
- 924BB - 175 Blue Fluid
- 924BA - 295 Red Fluid

VERNIERS

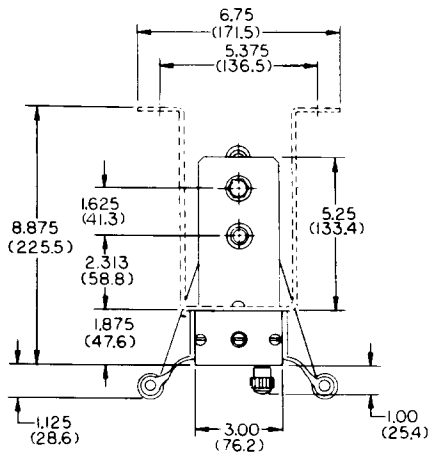
With the full scale vernier, readings can be obtained to 1/10 of the main scale subdivision. A reading is observed by aligning the fluid meniscus with the nearest lower scale division. The distance required to accomplish this is measured on the vernier scale. This is added to the main scale for the overall reading.



Fluid Requirements & Instrument Weight:

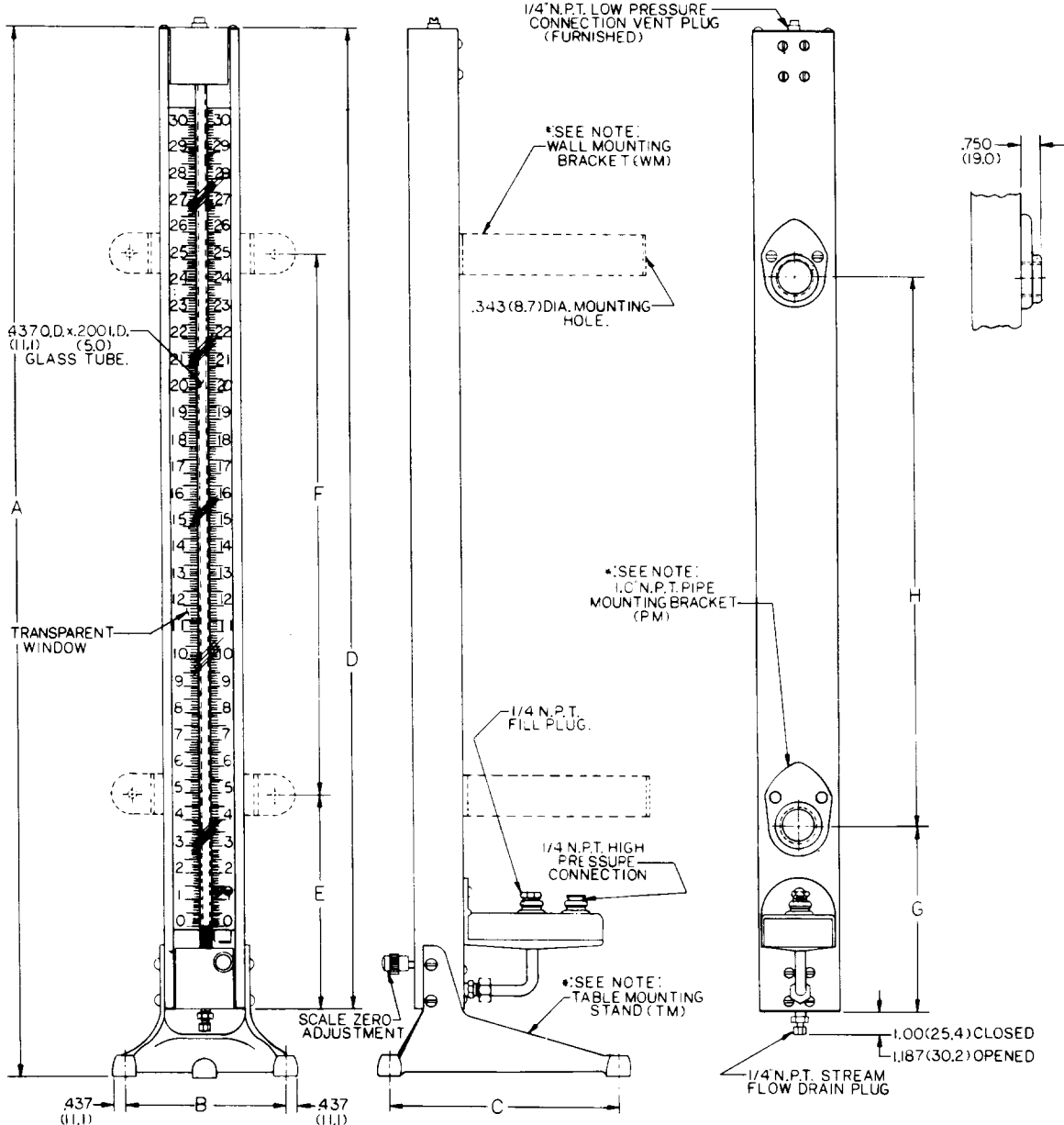
Range	6	12	20	30	35	40	50	60	80	100
Weight	6	9	11	12	12½	13	14	17	21	24
Mercury Lbs.	3	3	3	3	3	3	3	3	5	5
#3 Fluid Lbs.	.75	.75	.75	.75	.75	.75	.75	.75	1.5	1.5
Fluid Ounces	4	4	4	4	4	4	4	4	7	7

Consult Factory for special scale and fluids.



RANGE	A	B	C	D	E	F	G	H
6"	15.25 (387.4)	5.125 (130.2)	7.75 (196.9)	12.75 (323.9)	6.25 (158.9)	3.75 (95.3)	9.00 (228.6)	—
12"	21.25 (539.8)	5.125 (130.2)	7.75 (196.9)	18.75 (476.3)	8.00 (203.2)	5.50 (139.7)	7.00 (177.8)	—
20"	29.25 (743.0)	5.125 (130.2)	7.75 (196.9)	26.75 (679.5)	8.00 (203.2)	10.50 (266.7)	7.00 (177.8)	—
30"	39.25 (997.0)	5.125 (130.2)	7.75 (196.9)	36.75 (933.5)	8.00 (203.2)	20.50 (520.7)	7.00 (177.8)	19.50 (495.3)
35"	44.25 (1124.0)	8.00 (203.2)	12.00 (304.8)	41.75 (1060.5)	8.00 (203.2)	25.50 (647.7)	7.00 (177.8)	24.50 (622.3)
40"	49.25 (1251.0)	8.00 (203.2)	12.00 (304.8)	46.75 (1187.5)	8.00 (203.2)	30.50 (774.7)	7.00 (177.8)	29.50 (749.3)
50"	59.25 (1505.0)	8.00 (203.2)	12.00 (304.8)	56.75 (1441.5)	8.00 (203.2)	40.50 (1028.7)	7.00 (177.8)	39.50 (1003.3)
60"	69.25 (1759.0)	8.00 (203.2)	12.00 (304.8)	66.75 (1695.5)	8.00 (203.2)	50.50 (1282.7)	7.00 (177.8)	49.50 (1257.3)
80"	89.25 (2267.0)	8.00 (203.2)	12.00 (304.8)	86.75 (2203.5)	8.00 (203.2)	70.50 (1790.7)	7.00 (177.8)	69.50 (1765.3)
100"	109.25 (2775.0)	8.00 (203.2)	12.00 (304.8)	106.75 (2711.5)	8.00 (203.2)	90.50 (2298.7)	7.00 (177.8)	89.50 (2273.3)

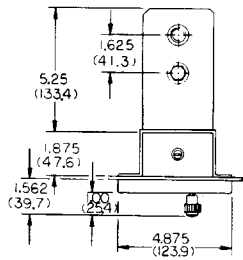
NOTE: ALL NUMBERS IN PARENTHESIS ARE IN MILLIMETERS.



MODEL 30EBX25 WELL TYPE MANOMETER

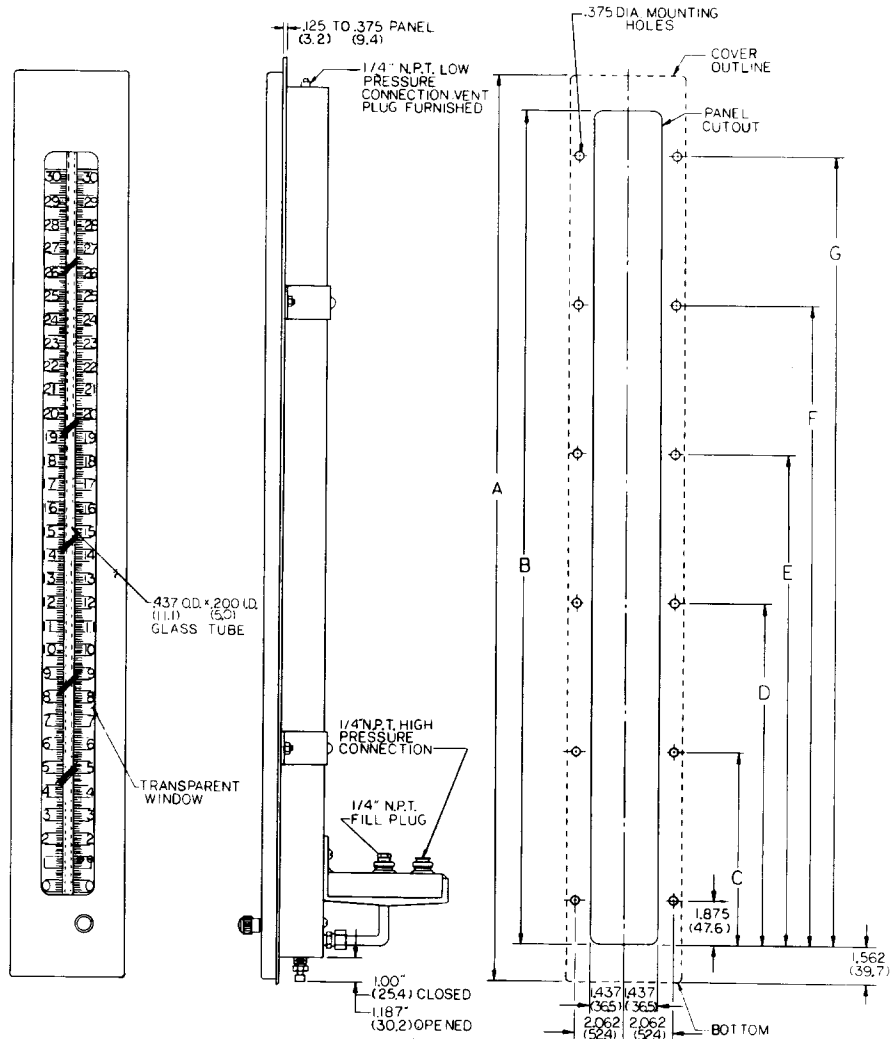
FINISH BLACK TEXTURED URETHANE

*NOTE: THIS DRAWING SHOWS THREE OF THE AVAILABLE MOUNTING STYLES: TABLE MOUNT (TM), WALL MOUNT (WM), AND PIPE MOUNT (PM); WHEN ORDERING THE CUSTOMER MUST SPECIFY THE TYPE OF MOUNTING REQUIRED.



RANGE	A	B	C	D	E	F	G
6"	14.375 (365.1)	11.250 (285.8)	5.625 (142.9)	9.375 (238.1)	—	—	—
12"	20.375 (517.5)	17.250 (438.2)	7.375 (187.4)	12.875 (327.0)	15.375 (390.5)	—	—
20"	28.375 (720.7)	25.250 (641.4)	7.375 (187.4)	17.875 (454.0)	23.375 (593.7)	—	—
30"	38.375 (974.7)	35.250 (895.4)	7.375 (187.4)	17.625 (447.7)	27.875 (708.0)	33.375 (847.7)	—
35"	43.375 (1101.7)	40.250 (1022.4)	7.375 (187.4)	20.125 (511.2)	32.875 (835.0)	38.375 (974.7)	—
40"	48.375 (1228.7)	45.250 (1149.4)	7.375 (187.4)	22.625 (574.7)	37.875 (962.0)	43.375 (1101.7)	—
50"	58.375 (1482.7)	55.250 (1403.4)	7.375 (187.4)	19.125 (485.8)	36.125 (917.6)	47.875 (1216.0)	53.375 (1355.7)
60"	68.375 (1736.7)	65.250 (1657.4)	7.375 (187.4)	23.125 (587.4)	42.125 (1070.0)	57.875 (1470.0)	63.375 (1609.7)
80"	88.375 (2244.7)	85.250 (2165.4)	7.375 (187.4)	29.125 (739.8)	56.125 (1425.6)	77.875 (1978.0)	83.375 (2117.7)
100"	108.375 (2752.7)	105.250 (2673.4)	7.375 (187.4)	36.125 (917.6)	69.125 (1755.8)	97.875 (2486.0)	103.37 (2625.7)

NOTE: ALL NUMBERS IN PARENTHESIS ARE IN MILLIMETERS.



MODEL 30EBX25 FF WELL TYPE MANOMETER
FLUSH FRONT MOUNTING

TRANSCAT®

▶ Visit us at Transcat.com!

35 Vantage Point Drive // Rochester, NY 14624 // Call 1.800.800.5001