

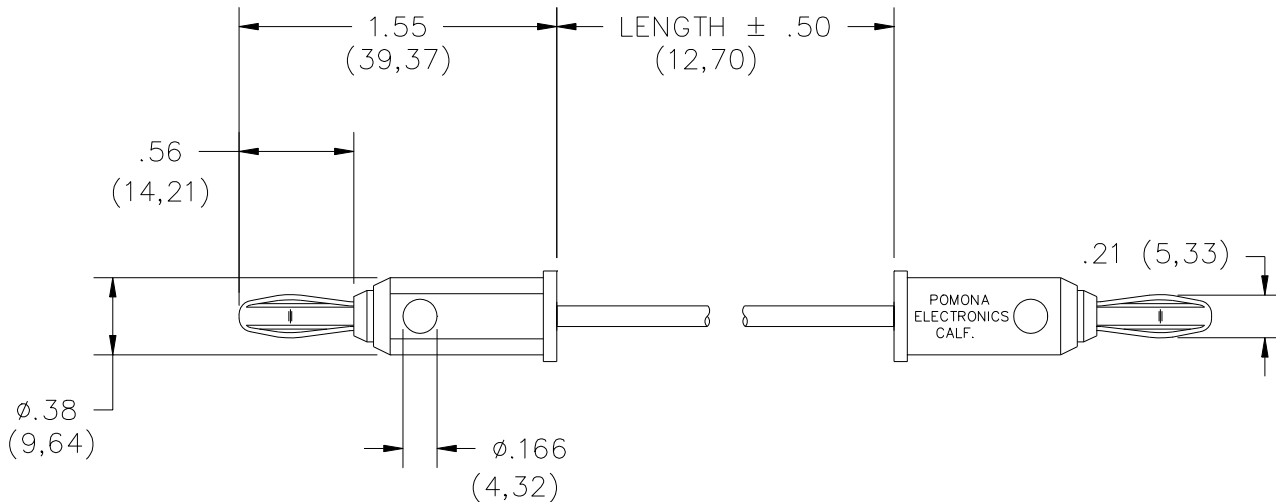
# Pomona<sup>®</sup>

# TRANSCAT

▶ Visit us at [Transcat.com!](http://Transcat.com)

35 Vantage Point Drive Rochester, NY 14624  
Call 1.800.800.5001

## Model 1440 Horizontal Stacking Banana Plug Each End



### FEATURES:

- Cross Stacking Banana Plugs
- Mates to Model #1581, 2854 or any standard Banana jack.
- Ideal for providing jumpers or chassis boxes.

### MATERIALS:

Conn: Banana Plug

Material: Spring, Beryllium Copper Berylco 25, per QQ-C-533, Cond. H.T.

Plug Body: Brass, per QQ-B-626, Alloy 360, ½ Hard.

Finish: Nickel plated per QQ-N-290 Class 2 (.0002/.0003).

Insulation: Polypropylene molded to plug body and wire.

Color: Matches color of wire.

Marking: "POMONA ELECTRONICS, CALIF."

Wire: 18 AWG, stranding 65 x 36 t.c., PVC insulated.

Marking: "POMONA 1440-XX"

### RATINGS: (Entire Assembly)

Operating Voltage: Hand-held testing: 30VAC/60VDC Max.

Hands free testing in controlled voltage environments: 5000 WVDC Max.

Operating Temperature: +55°C. (+131°) Max.

Current: 15 Amperes Cont. Contact Res.: Less than .001 Ohms per Banana Plug

### ORDERING INFORMATION: Model 1440-XX-\*

XX – Cable Lengths, Standard Lengths: 12" (305), 18" (457), 24" (610), 36" (914), 48" (1219) & 60" (1524).

\*= Color, -0 Black, -2 Red. Ordering Example: 1440-60-2 Indicates 60" in length, color is Red.

Additional lengths and colors can be quoted upon request.

All dimensions are in inches. Tolerances (except noted): .xx = ±.02" (.51 mm), .xxx = ±.005" (.127 mm).

All specifications are to the latest revisions. Specifications are subject to change without notice.

Registered trademarks are the property of their respective companies. Made in USA

# TRANSCAT

▶ Visit us at [Transcat.com!](http://Transcat.com)

35 Vantage Point Drive // Rochester, NY 14624 // Call 1.800.800.5001