

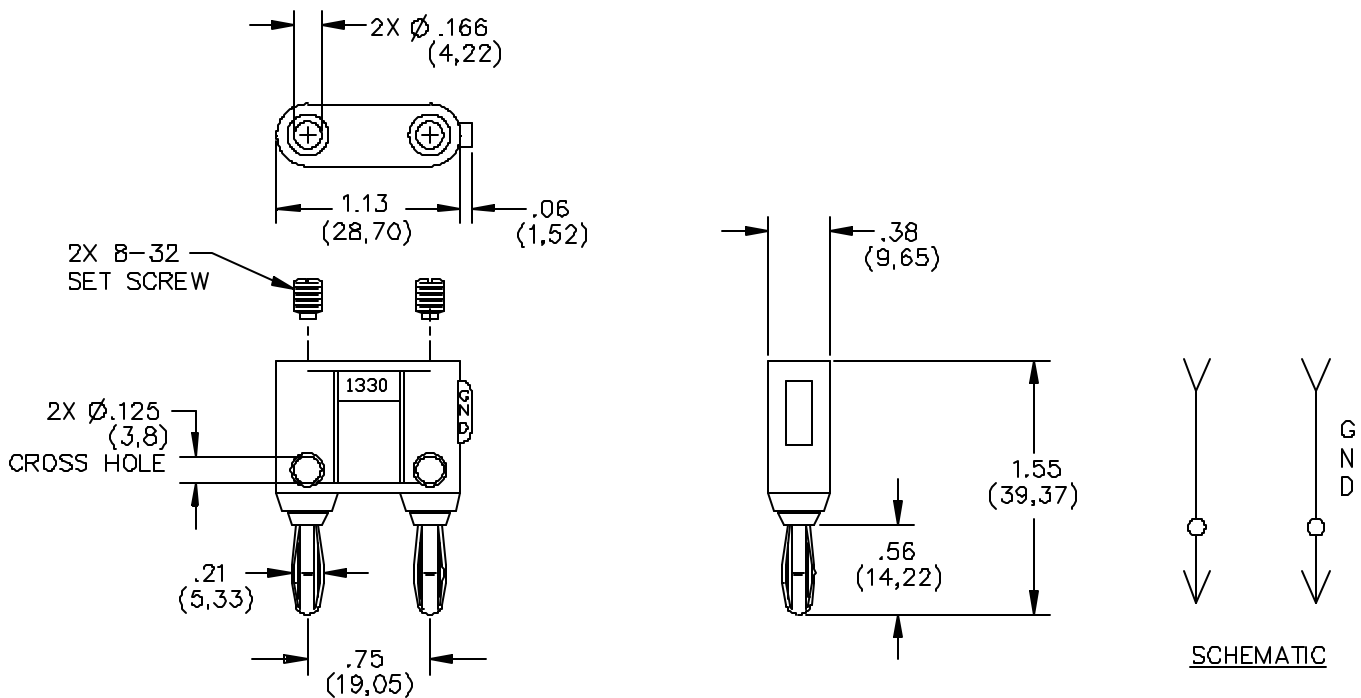
# Pomona<sup>®</sup>

# TRANSCAT<sup>®</sup>

▶ Visit us at [Transcat.com!](http://Transcat.com)

35 Vantage Point Drive Rochester, NY 14624  
Call 1.800.800.5001

## Model 1330 Double Banana Plug With Component Mounting Area



### FEATURES:

- Features a recessed area for mounting small discrete components with set screws.
- For test versatility, banana plugs can be vertically and horizontally stacked to the adapter.
- The Banana Plug features Nickel Plated, Beryllium Copper for tarnish resistance & long insertion life.

### MATERIALS:

#### Banana Plug

Body: Brass, Nickel Plated

Spring: Beryllium Copper, Nickel Plated BNC (Female):

#### Insulation

ABS Molded to BNC (Female) and Banana Plug Bodies, Color: Per Part Number

Marking: "1330 POMONA ELECTRONICS POMONA CALIFORNIA"

Set Screws (#8-32 Single Slot): Steel, Zinc Plated

### RATINGS:

Voltage: Hand-held Testing: 30VAC/60VDC Max.

Hand Free Testing in controlled voltage Environment: 5000 WVDC.

Operating Temperature: +50°C (+122°F) Max.

Current: 15 Amperes

**ORDERING INFORMATION:** Model 1330-\*

\*=Color, Standard Colors: -0 Black, -2 Red

All dimensions are in inches. Tolerances (except noted): .xx = ±.02" (.51 mm), .xxx = ±.005" (.127 mm).

All specifications are to the latest revisions. Specifications are subject to change without notice.

Registered trademarks are the property of their respective companies. Made in USA

# TRANSCAT<sup>®</sup>

▶ Visit us at [Transcat.com!](http://Transcat.com)

35 Vantage Point Drive // Rochester, NY 14624 // Call 1.800.800.5001