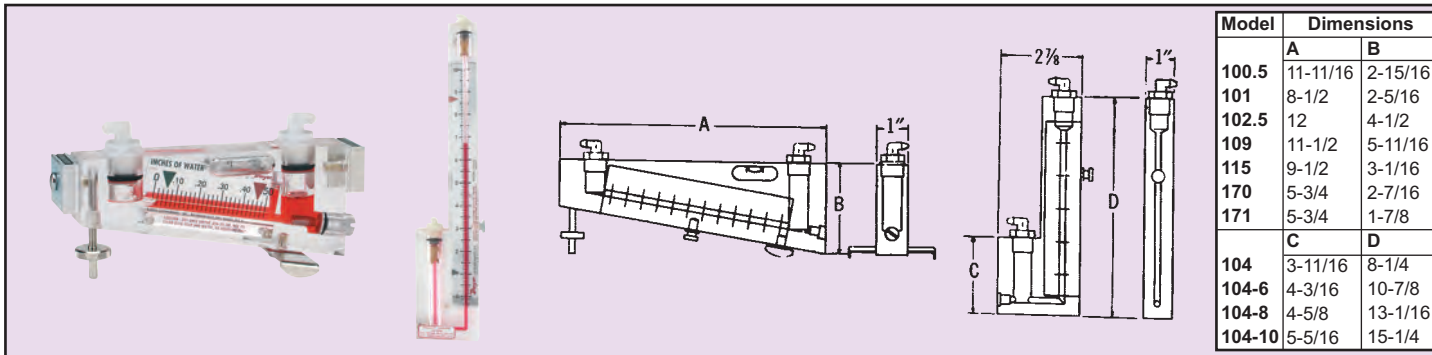




Series
100

Durablock[®] Solid Plastic Portable Gages

Suitable for Total Pressures Up to 100 psig, Temperatures Up to 150°F,
Accuracy $\pm 2\%$ of Full Scale (1% on Model 115 Only)



| Model | Dimensions | |
|--------|------------|---------|
| | A | B |
| 100.5 | 11-11/16 | 2-15/16 |
| 101 | 8-1/2 | 2-5/16 |
| 102.5 | 12 | 4-1/2 |
| 109 | 11-1/2 | 5-11/16 |
| 115 | 9-1/2 | 3-1/16 |
| 170 | 5-3/4 | 2-7/16 |
| 171 | 5-3/4 | 1-7/8 |
| C | | D |
| 104 | 3-11/16 | 8-1/4 |
| 104-6 | 4-3/16 | 10-7/8 |
| 104-8 | 4-5/8 | 13-1/16 |
| 104-10 | 5-5/16 | 15-1/4 |

Dwyer[®] solid plastic portable manometers are precision instruments in inclined and vertical (well-type) styles for the measurement of static pressure, vacuum or differential pressure.

To assure the accuracy required in instruments of this type, all machining of bores and wells is to the highest standards of precision backed by Dwyer's years of experience in the fabrication of acrylic instruments.

| Inclined Type | | | | | | |
|---------------|-----------------------|-----------------------|--------------|---------------|------------------------|---------------|
| Model | Range Inches of Water | Minor Scale Divisions | Scale Length | Carrying Case | | Weight lb-oz. |
| | | | | Type | Dimensions | |
| 100.5 | .10-0-1.0 | .01 | 8-1/4" | Plastic | 13-1/2 x 10 x 2-3/8 | 5-1 |
| 101 | .05-0-.50 | .01 | 5" | Plastic | 12-1/4 x 6-1/4 x 1-3/4 | 3-5 |
| 102.5 | .20-0-2.0 | .01 | 8-3/4" | Plastic | 13-1/2 x 10 x 2-3/8 | 5-10 |
| 109 | .20-0-3.0 | .02 | 8-3/4" | Plastic | 13-1/2 x 10 x 2-3/8 | 6 |
| 115 | .05-0-.25 | .005 | 6" | Plastic | 12-1/4 x 6-1/4 x 1-3/4 | 3-10 |
| 170 | 0-.50 | .02 | 2-1/2" | Plastic | 7 x 9 | 1-7 |
| 171 | 0-.25 | .01 | 2-1/2" | Plastic | 7 x 9 | 1-6 |
| Vertical Type | | | | | | |
| 104 | 0-4 | .10 | 4-1/2" | Plastic | 12-1/4 x 6-1/4 x 1-3/4 | 3-0 |
| 104-6 | 0-6 | .10 | 7-3/4" | Plastic | 13-1/2 x 10 x 2-3/8 | 4-8 |
| 104-8 | 0-8 | .10 | 9" | Metal | 18-1/2 x 4-3/8 x 2-1/4 | 4-12 |
| 104-10 | 0-10 | .10 | 11-1/8" | Metal | 18-1/2 x 4-3/8 x 2-1/4 | 4-15 |

Note: Model 100.5 replaces model 100. Model 102.5 replaces model 102.

STANDARD ACCESSORIES

Plastic or steel carrying case (plastic pouch for 170, 171 and 172), two magnetic mounting clips, two rapid shut-off nylon tubing connections, one 9' length rubber tubing, terminal tube and extra bottle .826 red gage fluid.



100.5, solid plastic portable gage with .10-0-1.0" w.c. range. Shown with carrying case and standard accessories.



104, solid plastic portable vertical manometer shown attached to inside of carrying case cover. Gage may also be removed from case and used in standing position or attached to any vertical steel surface with magnetic clips provided.

TRANSCAT

▶ Visit us at Transcat.com!

35 Vantage Point Drive // Rochester, NY 14624 // Call 1.800.800.5001