

Pressure Module (PM)

ACCURACY

MPa (Gauge Pressure)

300 kPa, 1 MPa, and 3 MPa modules

0 to 30% of Range: $\pm(0.0075\%$ of Full Scale)

30 to 110% of Range: $\pm(0.025\%$ of Reading)

Vacuum: $\pm(0.06\%$ of Full Scale*, typical)

* Full Scale = -99.9 kPa

10 and 30 MPa modules

0 to 30% of Range: $\pm(0.015\%$ of Full Scale)

30 to 110% of Range: $\pm(0.05\%$ of Reading)

70 and 100 MPa modules

0 to 30% of Range: $\pm(0.03\%$ of Full Scale)

30 to 110% of Range: $\pm(0.1\%$ of Reading)

Includes all effects of linearity, hysteresis, repeatability, temperature, and stability for one year.

All models indicate vacuum, but vacuum specification (typical) applies to 300 kPa, 1 MPa, and 3 MPa models only.

Not recommended for continuous use at high vacuum.

Refer to [XP2i-DP data sheet](#) for gauges that are intended for continuous high vacuum use.

MPaA (Pressure with BARO module)

300 kPa module

1.38 to 100.00 kPaA: ± 0.08 kPaA, typical

100.00 to 400.00 kPaA: $\pm(0.025\%$ of Reading)+0.03 kPaA

1 MPa module

0.00138 to 0.10000 MPaA: ± 0.00008 MPaA, typical

0.10000 to 0.40000 MPaA: ± 0.00010 MPaA

0.40000 to 1.10000 MPaA: $\pm(0.025\%$ of Reading)

3 MPa module

0.0014 to 0.1000 MPaA: ± 0.0001 MPaA, typical

0.1000 to 1.000 MPaA: ± 0.0003 MPaA

1.000 to 3.1000 MPaA: $\pm(0.025\%$ of Reading)

10 MPa module

0.1000 to 3.1000 MPaA: ± 0.0015 MPaA

3.1000 to 10.1000 MPaA: $\pm(0.05\%$ of Reading)

30 MPa module

0.100 to 9.100 MPaA: ± 0.005 MPaA

9.100 to 30.100 MPaA: $\pm(0.05\%$ of Reading)

70 MPa module

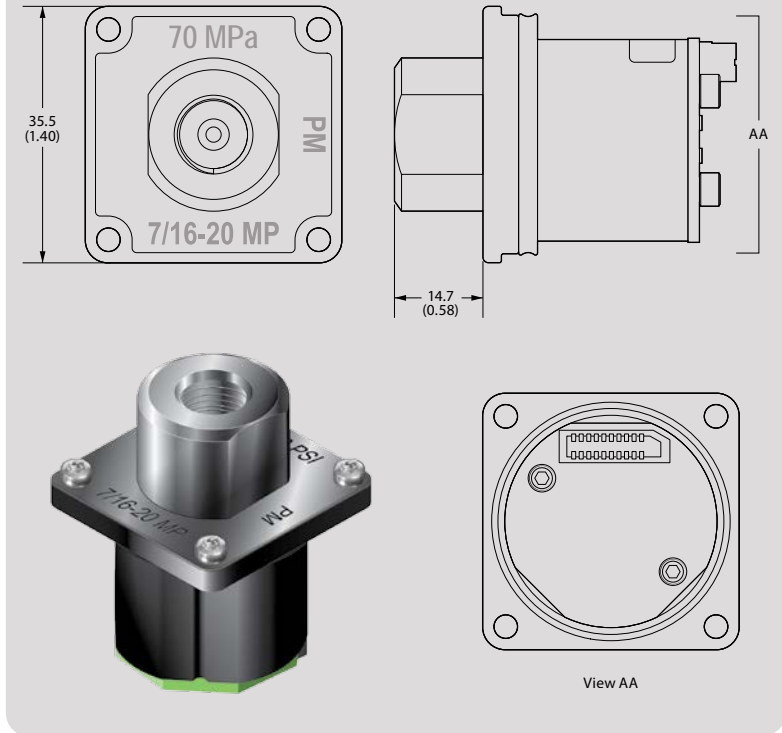
0.100 to 21.100 MPaA: ± 0.021 MPaA

21.100 to 70.100 MPaA: $\pm(0.1\%$ of Reading)

100 MPa module

0.100 to 30.100 MPaA: ± 0.030 MPaA

30.100 to 100.100 MPaA: $\pm(0.1\%$ of Reading)



DIFFERENTIAL PRESSURE MEASUREMENT UNCERTAINTIES WITH TARE

The Tare function can improve measurement uncertainties on two modules with the same full scale pressure range installed into one nVision Reference Recorder. Requires the use of an equalizing valve.

The following specifications apply to the measurement system with a logging interval of 1 second/reading:

Full Scale Range of Both Sensors MPa	The Greater of (+/-)				or	% of DP Reading
	mbar	psi	inH ₂ O	mmH ₂ O		
300 (kPa)	0.04	0.0005	0.014	0.4	or	0.025%
1	0.10	0.0015	0.04	1.0	or	0.025%
3	0.4	0.005	0.14	4.0	or	0.025%
10	1.0	0.02	0.4	10.0	or	0.05%
30	4.0	0.05	1.4	n/a	or	0.05%
70	10.0	0.2	4.0	n/a	or	0.1%
100	15.0	0.3	6.0	n/a	or	0.1%

Unit must be enabled in CrystalControl

DIFFERENTIAL PRESSURE MEASUREMENT UNCERTAINTIES WITHOUT TARE

The total nVision Reference Calibrator measurement uncertainty in the ΔP mode configuration will need to consider the uncertainties of both pressure modules. We recommend the module uncertainties to be combined with the preferred square root of the sum of the squares (or "root sum squares") method.

The following table lists the possible combinations of using Pressure Modules (PM) with different accuracy statements. The uncertainties reported below are without the use of the Tare feature, which will greatly improve your measurement uncertainty.

		Upper Pressure Module Uncertainties (of Static Line Pressure) (of Reading)		
		0.025%	0.05%	0.10%
Lower Pressure Module Uncertainties (of Static Line Pressure) (of Reading)	0.025%	0.035%	0.056%	0.103%
	0.05%	0.056%	0.071%	0.112%
	0.10%	0.103%	0.112%	0.141%

SENSOR

Wetted Materials: (WRENCH TIGHT) **316 stainless steel**
(FINGER TIGHT) **316 stainless steel**
and Viton® (internal o-ring)
Diaphragm Seal Fluid: **Silicone Oil**
Connection: **Crystal CPF♦ Female**

All welded, with a permanently filled diaphragm seal.
Metal to metal cone seal; O-ring can be removed if necessary.
1/4" medium pressure tube system compatible with HIP LM4 and LF4 Series, Autoclave Engr SF250CX Male and Female Series.
CPF Adapters to NPT, BSP, and M20 available.
♦U.S. Patent No. 8,794,677

BAROMETRIC REFERENCE (BARO)

Accuracy: **± 0.5 mbar, ± 0.00725 psi**
Range: **700.0 to 1100.0 mbarA,**
10.153 to 15.954 psiA
Units and Resolution: **mbar 0.1**
psi 0.001
inHg 0.001
mmHg 0.01
Pressure Connection: **Cylindrical sensor fitting of 5.8mm**
OD. A flexible 4.8 mm [3/16"] ID
tube is recommended to connect for
for calibration.
Mounting: **Secured using a 3/8" 4-40 plastic screw.**

Includes all effects of linearity, hysteresis, repeatability, temperature, and stability for one year.
Exposure to environmental extremes of temperature, shock, and/or vibration may warrant a more frequent recertification period.
Other units available depending on the installed modules.
Plastic non-conductive screw must be used to comply with hazardous location requirements.



Current, Voltage, & Switch Test Module (MA20)

Intended for use with a 4-20mA loop measurement. This module is also capable of measuring supply voltages and has an auxiliary fixed output for use in switch open/closure testing. Each MA20 module includes a super flexible silicone test lead kit (P/N 3952).

CURRENT & VOLTAGE MEASUREMENT

Current (mA) Input

Accuracy: $\pm(0.015\% \text{ of rdg} + 0.002 \text{ mA})$

Range: **0 to 55 mA (MA20+)**
0 to 25 mA (MA20)

Max Allowable Current: **93.3 mA**

Resolution: **0.001 mA or 0.01%**

Units: **mA, % 4-20, % 10-50**

Input Resistance: **< 17.2 Ω**

Voltage Burden @ 20mA: **< 0.35 V**

Voltage Burden @ 50mA: **< 0.86 V**

HART Resistance: **250 Ω**

Connection: **2mm jacks**

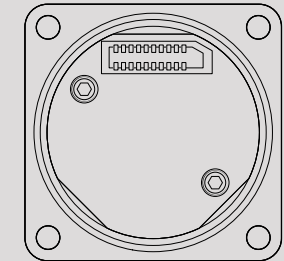
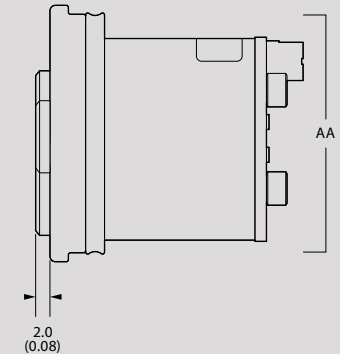
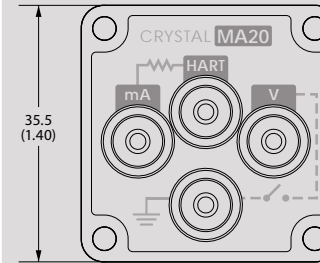
Includes all effects of linearity, hysteresis, repeatability, temperature, and stability for one year.

For hazardous location product warnings, refer to the operation manual.

Inputs protected by a resettable fuse.

mA can be displayed as a percentage, where 0 to 100% corresponds to either 4 to 20 mA or 10 to 50 mA.

Jacks are compatible with safety sheathed banana plugs.



View AA

Voltage (VDC) Input

Accuracy: $\pm(0.015\% \text{ of rdg} + 0.002 \text{ VDC})$

Range: **0 to 28 VDC**

Max Allowable Voltage: **30 VDC**

Resolution: **0.001 VDC**

Units: **VDC**

Includes all effects of linearity, hysteresis, repeatability, temperature, and stability for one year.

Switch Test

Switch Type: **Dry Contact**

Closed State Resistance: **< 10 Ω**

Open State Resistance: **> 10 M Ω**

Switch state change indicated by bright green LED flash.

Switch test screen reports switch open, close, and deadband values.

ATEX IEC IECEx ATEX and IECEx Scheme Entity Parameters



The MA20 Module has these specific input entity parameters:

- Ui = 28 V**
- li = 93.3 mA**
- Pi = 653.3 mW**
- Ci = 0.36 μ F**
- Li = 39.1 μ H**
- Uo = 6.6 V**
- Io = 4.45 mA**
- Po = 7.34 mW**
- Co = 0.5 μ F***
- Lo = 12 μ H****

* Dependent on the supply to the terminals but shall not be greater than 0.5 μ F
** Total cable inductance between all modules

Temperature Module (RTD100)

Calibrated for Pt100 RTD/PRT (100 Ohms at 0°C Platinum Resistance Temperature Detector) sensors conforming to DIN/ IEC 60751 (or IEC751) with US, Euro, or Lab calibration curves. An RTD is not included, but each RTD100 includes P/N 3953 RTD Connection Kit.

TEMPERATURE MEASUREMENT

Resistance Input

Accuracy: $\pm (0.015\% \text{ of rdg} + 0.02 \Omega)$

Range: **0 – 400 Ohms range for use with 100 Ohm PRTs**

Resolution: **0.01 on all scales**

Units: °C, K, °F, R, Ω

TCRs: **0.003850 $\Omega/\Omega/^\circ\text{C}$ (IEC 60751), 0.003911 $\Omega/\Omega/^\circ\text{C}$ (US Industrial Std), 0.003926 $\Omega/\Omega/^\circ\text{C}$**

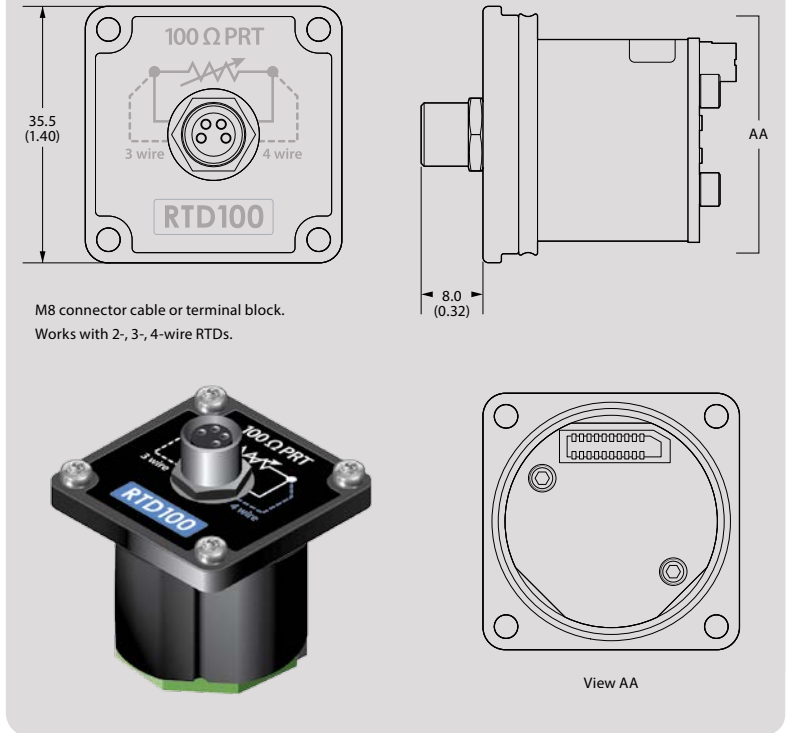
Wiring: **2-, 3-, 4-wire support**

Connection: **M8 connector cable or terminal block**

Includes all effects of linearity, hysteresis, repeatability, temperature, and stability for one year.

The proper selection of the RTD sensing element is very important as the error associated with this device is the majority of the overall system measurement uncertainty. IEC 751 is the standard that defines the temperature versus resistance for 100 Ω , 0.00385 $\Omega/\Omega/^\circ\text{C}$ platinum RTDs. IEC 751 defines two classes of RTDs: Class A and B. Class A RTDs operate over the -200 to 630°C range versus -200 to 800°C for the Class B elements. For example, the Class A uncertainty is about half that of the Class B elements as illustrated in the following table.

Temperature °C	nVision Uncertainty		Class A				Class B			
			Class A Uncertainty		nVision + Class A Uncertainty		Class B Uncertainty		nVision + Class B Uncertainty	
	$\pm\Omega$	$\pm^\circ\text{C}$	$\pm\Omega$	$\pm^\circ\text{C}$	$\pm\Omega$	$\pm^\circ\text{C}$	$\pm\Omega$	$\pm^\circ\text{C}$	$\pm\Omega$	$\pm^\circ\text{C}$
-200	0.02	0.05	0.24	0.55	0.24	0.55	0.56	1.30	0.56	1.30
0	0.04	0.09	0.06	0.15	0.07	0.17	0.12	0.30	0.12	0.31
200	0.05	0.13	0.2	0.55	0.21	0.56	0.48	1.30	0.48	1.31
400	0.06	0.17	0.33	0.95	0.33	0.96	0.79	2.30	0.79	2.31
600	0.07	0.21	0.43	1.35	0.44	1.37	1.06	3.30	1.06	3.31
800	0.08	0.25	0.52	1.75	0.53	1.77	1.28	4.30	1.28	4.31



M8 connector cable or terminal block.
Works with 2-, 3-, 4-wire RTDs.

View AA

ATEX IEC IECEx ATEX and IECEx Scheme Entity Parameters

The RTD100 Module has these specific input entity parameters:

- U_i = 0 V**
- U_o = 9.73 V**
- I_i = 0 A**
- I_o = 1.6642 A**
- P_i = 0 W**
- P_o = 1.1 W**
- C_o = 0.5 uF**
- L_o = 12 uH***

* Total cable inductance between all modules

nVision Chassis (NV)

OPERATING TEMPERATURE

Temperature Range: **-20 to 50° C (-4 to 122° F)**

< 95% RH, non-condensing. No change in accuracy over operating temperature range. Gauge must be zeroed to achieve rated specification.

Applies to all modules.

DISPLAY

Screen: **255 x 160 pixel graphical display**

LCD readable in sunlight with bright backlight.

Display Rate: **4 readings/second (standard)
up to 10 readings/second (recording)**

POWER

The nVision is Intrinsically Safe only if powered by one of the following battery types.

ATEX/IECEX:	Approved Battery Type	Ta=	Marking
	Rayovac Max Plus 815	-20 to 50° C	Ex ia IIB T4 Ga
	Duracell MN1500	-20 to 45° C	
	Energizer E91, EN91	-20 to 50° C	Ex ia IIB T3 Ga
	Duracell MN1500		

CSA:	Approved Battery Type	Ta=	Marking
	Rayovac Max Plus 815	-20 to 50° C	Class I, Division 1, Grp C, D T4
	Duracell MN1500	-20 to 45° C	
	Energizer E91	-20 to 50° C	Class I, Division 1, Grp C, D T3B
	Energizer EN91		Class I, Division 1, Grp C, D T3A
	Duracell MN1500		Class I, Division 1, Grp C, D T3C

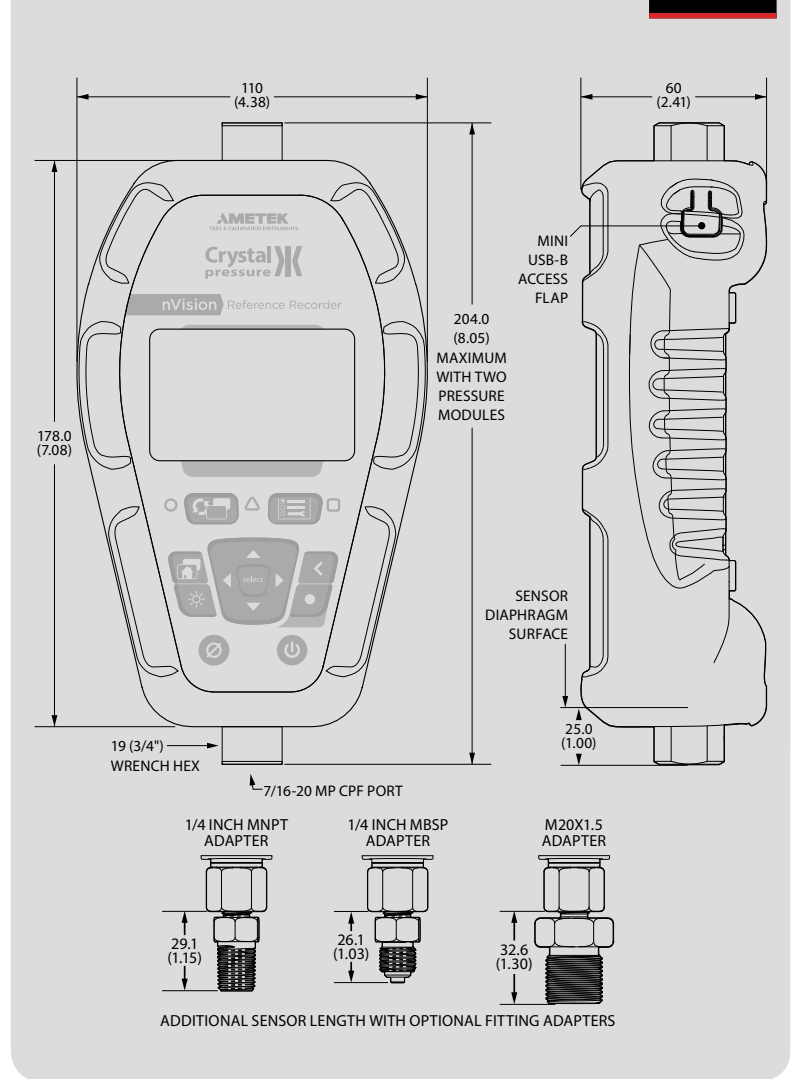
4 x AA: **200 hours, typical**

Ultra Low Power: **Up to 60 days, typical***

*2 installed modules, 1 reading per 5 minute recording interval, and 23° C ambient temperature.

Uses 4 alkaline AA (LR6) batteries. Use of backlight reduces operating time.

For hazardous location product warnings, refer to the operation manual.



DATA/COMMUNICATION

Digital Interface: **mini-USB**

The mini USB will power the nVision with or without the battery pack installed.

For hazardous location product warnings, refer to the operation manual.

DATALOGGING

Capacity: **Approx. 1,000,000 data points***

**Single Module Recording*

Storage Type: **Non-volatile flash memory**

Limit of 64 individual recordings.

Fastest Interval: **10 per second**

The included CrystalControl software is compatible with 32 & 64 bit Windows 7 and Vista, and XP (32 bit only). Produces csv, xls, pdf, or signed pdf files, and uses Excel template files (samples included) to automatically format and graph data.

Slowest Interval: **1 per hour**

ENCLOSURE

Weight: **680 g (24.0 oz)**

Weight includes one pressure module, one RTD module, 4AA battery module, and protective boot.

Rating: **IP67**

Submersible to 1 m for 30 minutes [IEC 60529].

Housing: **Impact resistant injection molded**

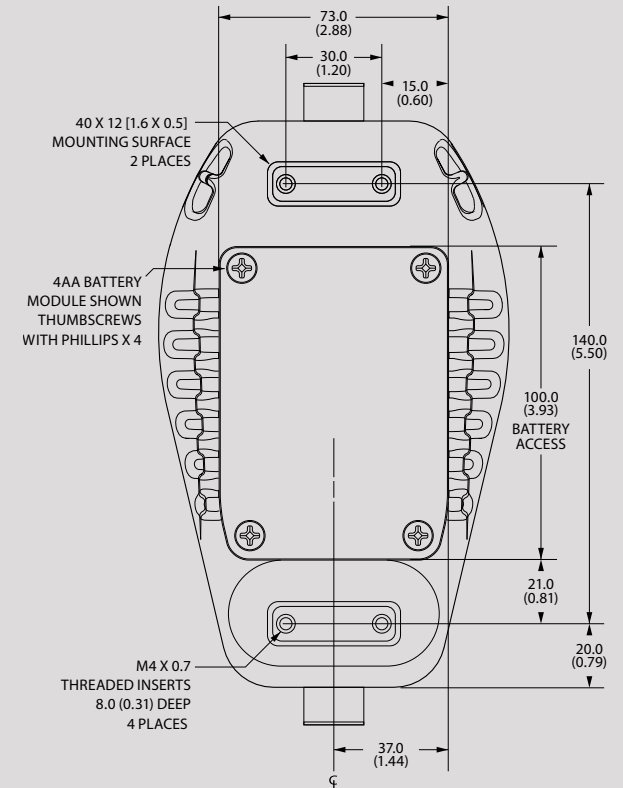
LCD protected from impact damage by 1.5 mm (0.06") thick polycarbonate lens.

Keypad and Labels: **UV Resistant Polyester**

Mounting: **M4 x 0.7 [8 mm (0.31")]** deep threaded insert mounting locations

Skydrol® compatible.

For hazardous location product warnings, refer to the operation manual.



STORAGE TEMPERATURETemperature Range: **-40 to 75° C (-40 to 167° F)***Batteries should be removed if stored for more than one month.***SPECIAL FEATURES**The following requires the use of our free [CrystalControl](#) softwareAveraging Screen: **Averages all points in a recording run.**Data Point Counter: **Screen for counting the data points logged.**Display Screens: **Turn on and rearrange display screens.**Estimated Recording Time: **A CrystalControl calculation based on active screens and logging interval.**Live PC Graph: **During a recording, graph directly to your PC.**Password Protect: **Changes to configuration or userspan calibration factor(s).**Pressure Switch Test: **Using a PM and MA20, get deadband and state-change pressure.**Remove: **Unwanted pressure units.**Run Tags: **Create and enable run tags that will identify logging runs.**Screen Numbers: **Number each display screen to make writing procedures around the nVision easier.**Secure Documents: **Download into secure pdf documents for tamper proof records.**Start-up Screen: **Define a 32-character prompt which requires user acknowledgement at startup.**User Defined Unit: **Define and display any pressure units not included, or to use the gauge to display force, level or other pressure related parameters.****CERTIFICATIONS****II 1G Ex ia IIB T4 Ga or T3
SIRA 09 ATEX 2008X**

This product conforms to:

EN 60079-0: 2006 | EN 60079-11: 2007 | EN 60079-26: 2007**Ex ia IIB T4 Ga or T3
IECEX SIR 09.0053X**

This product conforms to:

IEC 60079-0: 2004 | IEC 60079-11: 2006 | IEC 60079-26: 2006

Exia Intrinsically Safe and Non-incendive for Hazardous Locations: Class I, Division 1, Groups C and D, Temperature Code T4/T3A/TCB/T3C. For hazardous location product warnings, refer to the operation manual.



nVision complies with the Electromagnetic Compatibility and the Pressure Equipment Directives.



nVision is approved for use as a portable test instrument for Marine use and complies with Det Norske Veritas' Rules for Classification of Ships, High Speed & Light Craft and Offshore Standards.

RANGE & RESOLUTION TABLE

PM	Range (MPa)	Over-pressure	Display Resolution			
			MPa	kPa	bar	mbar
300KPA	300(kPa)	3.0 x		0.01	0.0001	0.1
1MPa	1	2.0 x	0.00001	0.01	0.0001	0.1
3MPa	3	2.0 x	0.0001	0.1	0.001	1
10MPa	10	2.0 x	0.0001	0.1	0.001	
30MPa	30	1.5 x	0.001	1	0.01	
70MPa	70	1.5 x	0.001	1	0.01	
100MPa	100	1.3 x	0.001	1	0.01	

(Add one digit of resolution for differential mode.)

ORDERING INFORMATION*

Model	Power	Upper Module	Lower Module	BARO Module	CPF* Fitting Kits	Pump System**	Liquid (Systems C-H)	Carrying Case~
NV	4AA							
		Pressure: PM	PM	No (omit)	No (omit)	No Pump.....(omit)		
		Current, Voltage, and Switch: MA20	MA20	Yes... -BARO	NPT Kit (4013) ... -N	System A (pneumatic) 0 to 200 kPa -AXX	Full (omit)	Aluminum ... (omit)
		Temperature: RTD100	RTD100		BSP Kit (4015) ... -B	System A (pneumatic) 0 to 4000 kPa -AHX	Drained..... -E	Waterproof..... -W
		Blank Plate: BNKPLT	BNKPLT			System B (pneumatic) -91 to 200 kPa -BXX		
						System B (pneumatic) -91 kPa to 4 MPa -BHX		
						System C (oil) 0 to 20 MPa -CXX		
						System C (oil) 0 to 35 MPa -CHX		
						System D (oil) 0 to 35 MPa -DOX		
						System D (water) 0 to 35 MPa -DWX		
						System E (oil) 0 to 70 MPa -EOX		
						System F (oil) 0 to 100 MPa -FOV		
						System F (water) 0 to 100 MPa -FWV		
						System G (oil) 0 to 100 MPa -GOX		
						System G (water) 0 to 100 MPa -GWX		
						System H (oil/pneumatic) -91 kPa to 4 MPa and 0 to 35 MPa -HOX		

If ordering an nVision with only one module installed, enter **BNKPLT** in the empty module slot.

SAMPLE PART NUMBERS

NV-4AA-**300KPA**-**30MPa**-**BARO** ... nVision with 300 kPa pressure module (upper) and 30 MPa pressure module (lower); and a BARO module option.

NV-4AA-**RTD100**-**70MPa**-**GWX-W** ... nVision with RTD100 temperature module (upper) and 70 MPa pressure module (lower); a System G pump system; and a waterproof carrying case.

► Ordering a Pump System Only

Any pump system, carrying case, and connection fittings for an nVision reference recorder may be ordered separately from the gauge. Enter NV-NONE followed by the Pump System part number and the Carrying Case option code.

SAMPLE PART NUMBERS

NV-NONE-GWX-W System G pump system with a waterproof carrying case.

* MPA versions available in USA direct from factory only.

* CPF Fitting Kits can **only** be ordered as part of a Pump System. All fittings are rated to 70 MPa, with the exception of the MPF-1/2QTF rated to 35 MPa.

** Refer to the following page for a more detailed description of each Pump System.

~ The Waterproof Case is an **option** for Systems A, B, and C only. The Waterproof Case is **the only option** for Systems G and H.



900 Series

PUMP SYSTEMS

All pump systems for the nVision include 1/4 NPT and BSP female fittings and a carrying case with custom insert. Additional fittings and accessories included with individual systems are listed below.

▶ **Systems A...** AXX (T-960), AHX (T-970)
MPH-1 hose, bonded seals, o-ring kit, and teflon tape.

▶ **Systems B...** BXX (T-965), BHX (T-975-CPF)
MPH-1 hose, bonded seals, o-ring kit, and teflon tape.

▶ **Systems C...** CXX (T-620), CHX (T-620H-CPF)
MPH-1 hose, MPF-CAP, MPM-PLUG, bonded seals, and teflon tape.

▶ **Systems D...** DOX and DWX (P-018-CPF)
Bonded seals and teflon tape.

▶ **System E...** EOX (P014)
Bonded seals and teflon tape.

▶ **Systems F...** FOV and FWV (T-1-CPF)
Bonded seals and teflon tape.

▶ **Systems G ...** GOX and GWX (GaugeCalHP)
Carrying case hold-down straps.

▶ **System H...** HOX (T-975-CPF and T-620H-CPF)
MPF-CAP, MPM-PLUG, bonded seals, o-ring kit, and teflon tape.



600 Series



P-018-CPF



P014



T-1-CPF



GaugeCalHP

CPF FITTING KITS

▶ **NPT Kit...** -N (4013)
Includes MPF-1/8QTF, MPF-1/4QTF, and MPF-1/2QTF.

▶ **BSP Kit...** -B (4015)
Includes MPF-1/8BSPF, MPF-1/4BSPF, MPF-3/8BSPF, and MPF-1/2BSPF.

ACCESSORIES (Included with NV)

Soft Carrying Case P/N 4087

Durable, padded case with separate pockets for your nVision and accessories.

Protective Boot P/N 3985

Shock resistant protection, low durometer, Skydrol resistant.

Mini-USB Cable P/N 3951

Connect to your nVision with 6' [1.8m] cable. For hazardous location product warnings, refer to the operation manual.

COMPLIMENTARY PRODUCTS

Crystal Engineering offers a wide range of products that work with the nVision:

- [Fittings that connect without tools, safely and without leaks](#)
- [Lightweight, super flexible high pressure hoses](#)
- [Fitting kits and adapters](#)
- [Pneumatic hand pumps](#)
- [Hydraulic hand pumps](#)
- [Portable pressure comparators](#)
- [Software, for the quickest way to calibrate pressure transmitters and gauges](#)