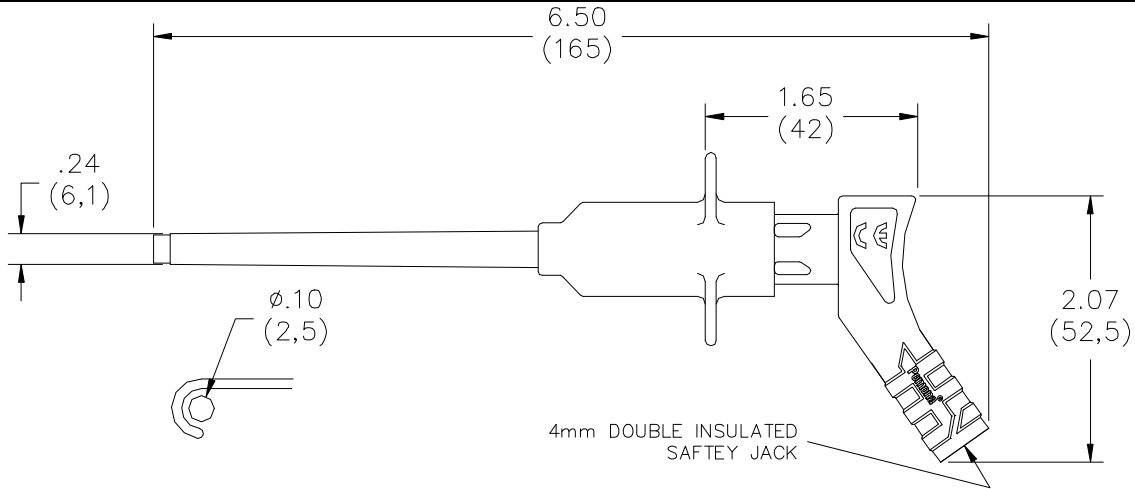


Model 5911A
Maxigrabber[®] Set
With Hook Tip



- Redesigned to comply with IEC 1010-2-31, which is the latest international safety standard for test accessories.
- The long shaft is ideal for electronic, electrical and industrial applications where access to hard to reach high voltage test points is a requirement.
- Safety sheathed jack mates to Pomona’s 5907A, 5908A and 5909A Flexible Test Leads for Digital Multi-Meter interfacing.
- Tip Guard is Stainless Steel for tip durability.

MATERIALS:

Hook: Beryllium Copper, Nickel Plated
 Banana Jack: Body - Brass, Nickel Plated
 Tube: Santoprene®, Color: Yellow
 Plunger, Housing: Nylon 6 – Fire Retardant – UL94 V-0 Rated, Color: One Red, One Black
 Tip Guard: Stainless Steel
 Compression Spring: Stainless Steel

RATING:

IEC 1010, Category III, P2 Compliant
 Voltage: 1,000 VRMS
 Current: 10 Amps. Max.

ORDERING INFORMATION: 5911A (Includes Set of one black and one red)
 The Maxigrabber[®] Test Clip is also available in various Pomona DMM Test Kits.

All dimensions are in Inches. Tolerances (except as noted): xx ± .02” (.51mm) .xxx ± .005” (.127mm).
 All specifications are to the latest revisions. Specifications are subject to change without notice.
 Registered trademarks are the property of their respective companies.