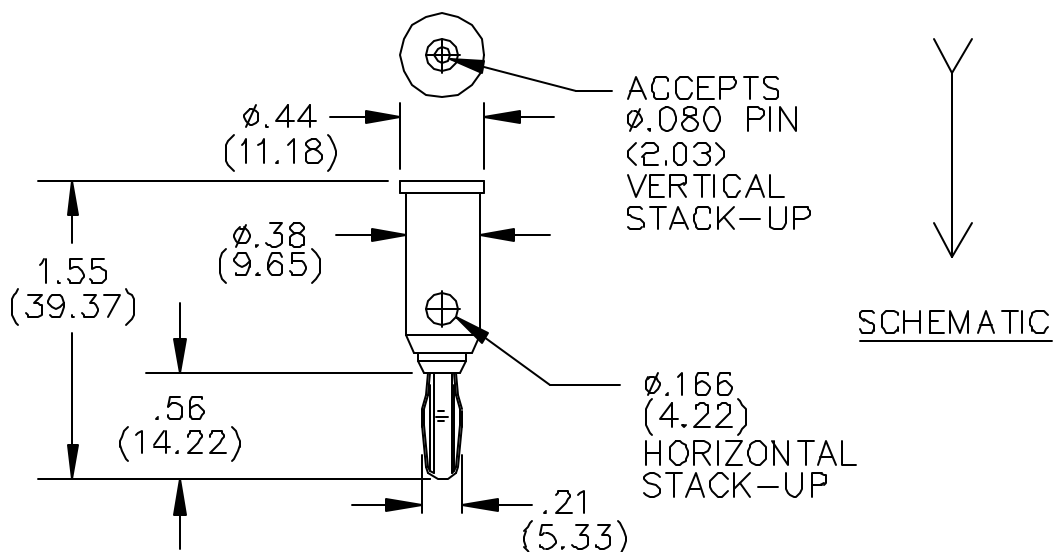


Pomona®

Model 1809 Pin Jack To Banana Plug



FEATURES:

- Permits pin tip cords to be used with equipment having banana jacks.

MATERIALS:

Upper Conn.: Pin Jack

Material: Spring – Beryllium Copper per QQ-C-533, Berylco 25, Cond. H.T.

Finish: Gold plated per MIL-G-45204, Type II, Class 00 over electroless nickel per MIL-C-26074, 200/300 microinches

Insulation: ABS molded to pin jack and banana plug body.

Marking: “1809” “POMONA ELECTRONICS CALIF.”

Lower Conn.: Standard Banana Plug

Material: Spring – Beryllium Copper per QQ-C-533, Berylco 25, Cond. HT.

Plug Body – Brass per QQ-B-626,

Alloy 360, ½ Hard

Finish: Nickel plated per QQ-N-290, Class 2, 200/300 micro-inches.

RATINGS:

Operating Voltage: 2500 WVDC

Operating Temperature: +50°C. (+122°F.) Max.

Current: 5 Amperes

ORDERING INFORMATION: Model 1809-*

*= Color, -0 Black, -2 Red

Ordering Example: 1809-2 Adapter Color is Red

Other colors available on special request.

All dimensions are in inches. Tolerances (except noted): .xx = ±.02” (.51 mm), .xxx = ± .005” (.127 mm).

All specifications are to the latest revisions. Specifications are subject to change without notice.

Registered trademarks are the property of their respective companies. Made in USA