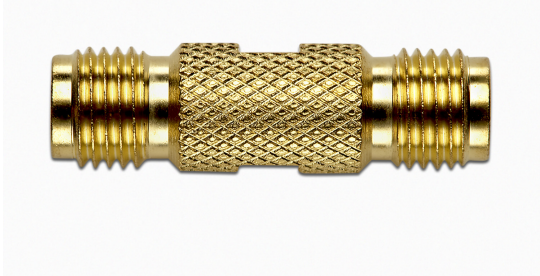


**Model 72966**  
**SMA JACK (F) / JACK (F)**

**TRANSCAT**

▶ Visit us at [Transcat.com!](http://Transcat.com!)

35 Vantage Point Drive // Rochester, NY 14624 // Call 1.800.800.5001



Model 72966 SMA JACK (F) / JACK (F)

High bandwidth, small size, and durability for confident connections

**Features**

- DC - 18 GHz
- Meets MIL-C-39012, IEC 169-15, CECC 22110.
- Small size and durability for mobile communications.
- Precision machined and gold-plated for low loss.

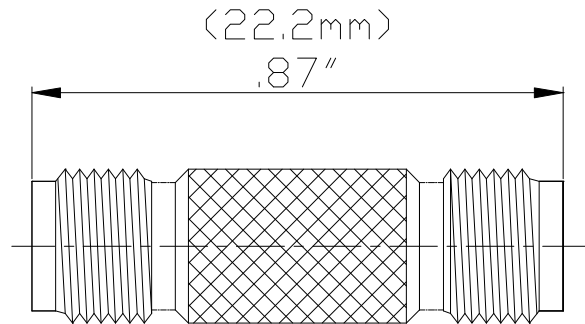
**Materials**

- Body is machined brass with gold plating.
- Center Contacts - Plug is gold plated brass and Jack is gold plated Beryllium copper.
- Insulators are high quality PTFE.
- Crimp Ferrules are copper with gold or nickel plating.
- Gaskets are silicone rubber.

**Ordering Information**

Model: 72966

Description: SMA JACK (F) / JACK (F)



**Specifications**

Impedance	50 $\Omega$
Frequency Range	DC – 18 GHz max.
Working Voltage	< 500 V <sub>peak</sub>
Dielectric Withstanding Voltage	1,000 V <sub>rms</sub>
VSWR	1.25 max.
Center/Outer Contact Resistance	0.003/0.002 $\Omega$ max
Insulation resistance	> 5000 M $\Omega$
Number of Insertions	500 cycles minimum
Temperature Range	-65° C to 165° C, -85° F to 329° F

All dimensions are in inches. Tolerances (except noted): .xx =  $\pm .02''$  (.51 mm), .xxx =  $\pm .005''$  (.127 mm). All specifications are to the latest revisions. Specifications are subject to change without notice. Registered trademarks are the property of their respective companies.  
D2003405 REV 001

**TRANSCAT**

▶ Visit us at [Transcat.com!](http://Transcat.com!)

35 Vantage Point Drive // Rochester, NY 14624 // Call 1.800.800.5001