

The CHATILLON® PBB Series portable bench beam scales are ideal for laboratory, industrial, educational or commercial use. Constructed of steel and cast aluminum, PBB scales feature adjustable, hardened-steel pivots and self-aligning steel bearings for lasting accuracy. Built-in platform and steel locking mechanisms help ensure safe and secure operation and transportability. Models are available in metric and avoirdupois units of measure with mirrored balance indicators and easy-to-read graduations. Avoirdupois models may be read in either ounce or decimal pounds. An additional sliding poise permits blank taring up to 10 lbs. Metric models have a 2 kg tare capability on a secondary poise. The platform measures 12 x 17-inches (305 x 432 mm). The bottom left or right beam sections may be used as a measured tare bar. H44 Class III Legal for Trade models are available.

## Features

- Avoirdupois and Metric Models
- Available as H44 Class III "Legal for Trade"
- Full Capacity Beam Construction with Sliding Attached Poise
  - No Loose Weights
- Sturdy Construction
  - Steel Housing with Floating Platform
  - Platform and Beam Locking Mechanism Prevents Damage
- Notched Beam for Fast, Easy Reading
  - Mirrored Balance Indicators
- Built-in Carrying Handle
- Adjustable Legs with Bubble Level Indicator
- 1 Year Warranty



PBB Series shown with optional stainless steel cover (16076)

## Specifications

- Accuracy:** ±1% of Full Scale  
**Maximum Overload:** 125% of Rated Capacity  
**Tare Capacity:** 0-10 lb (0-25 lb PBB260)  
**Operating Temperature:** 45°F to 100°F (7°C to 38°C)



Notched Reading Beam

### H44 Class III - "Legal for Trade"

Old Model	New Model	Capacity	Top	Left	Right	Tare Bar	Weight
PBB52	PBB-052-T	52 lbs	50 x 2 lb	1 lb x 1/4 oz	1 lb x 0.02 lb	0-10 lb	23 lbs (10.5 kg)
PBB135	PBB-135-T	135 lbs	125 x 5 lb	5 lb x 1 oz	5 lb x 0.1 lb	0-25 lb	23 lbs (10.5 kg)
PBB26KG	KPB-026-T	26 kg	25 x 1 kg	0-2 kg blank tare	1 kg x 0.01 kg	-	23 lbs (10.5 kg)
PBB52KG	KPB-052-T	52 kg	50 x 2 kg	0-2 kg blank tare	2 kg x 0.01 kg	-	23 lbs (10.5 kg)

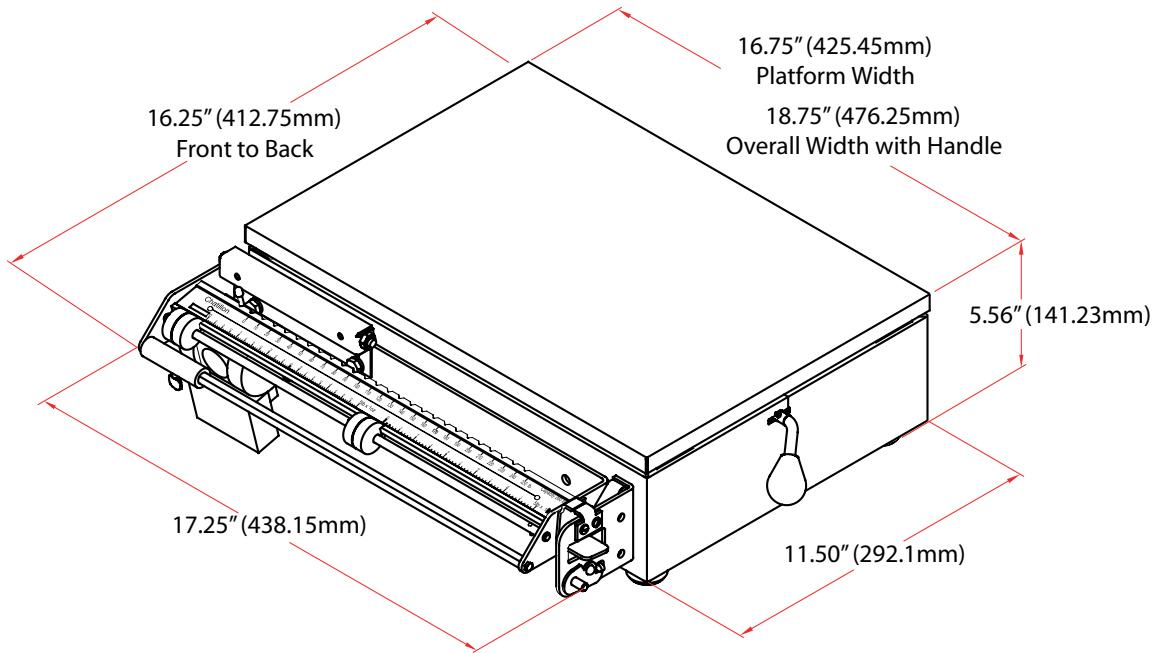
Certificate of Conformance No. 88-150PN, was issued under the national Type Evaluation Program of the National Conference on Weights and Measures, that the design conforms to NIST Handbook 44 Class III. The scale is "Legal for Trade" subject to on-site verification by the local Weights and Measures jurisdictions.

### No Class

Old Model	New Model	Capacity	Top	Left	Right	Tare Bar	Weight
PBB52X	PBB-052-S	52 lbs	50 x 2 lb	1 lb x 1/4 oz	1 lb x 0.01 lb	0-10 lb	23 lbs (10.5 kg)
PBB131X	PBB-131-S	131 lbs	125 x 5 lb	5 lb x 1 oz	1 lb x 1/4 oz	0-10 lb	23 lbs (10.5 kg)
PBB131XD	PBB-131XD-S	131 lbs	125 x 5 lb	5 lb x 1 oz	1 lb x 0.01 lb	0-10 lb	23 lbs (10.5 kg)
PBB300	PBB-260-S	260 lbs	250 x 10 lb	5 lb x 1 oz	5 lb x 0.1 lb	0-25 lb	23 lbs (10.5 kg)

Quality Assured.

## Dimensions

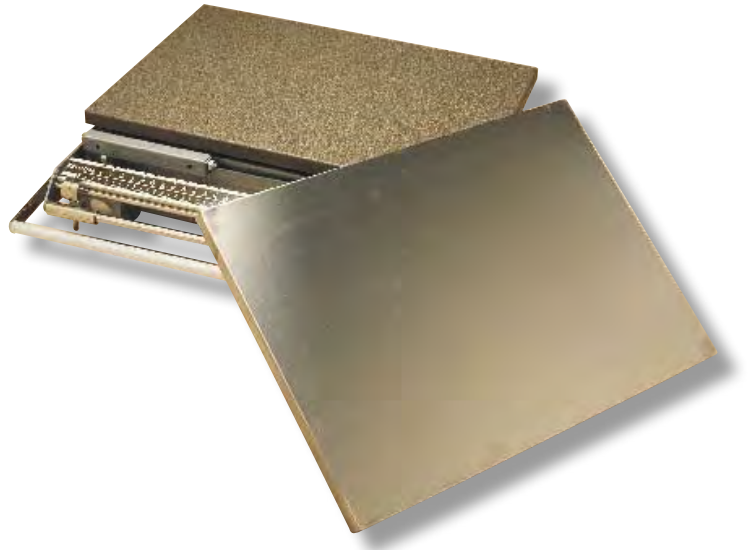


## Accessories

Part No.	Description
PBBH	Handle Assembly
16076	Stainless Steel Platform Cover



PBBH-Handle accessory (optional)



**AMETEK**  
MEASUREMENT & CALIBRATION TECHNOLOGIES

For the authorized Chatillon Distributor or Manufacturer's Representative near you, go to [www.chatillon.com](http://www.chatillon.com)

© 2009 by AMETEK, Inc.

Information within this document is subject to change without notice.



ISO 9001/2000  
ISO/IEC17025  
Manufacturer

**TRANSCAT**

▶ Visit us at [Transcat.com!](http://Transcat.com!)

35 Vantage Point Drive // Rochester, NY 14624 // Call 1.800.800.5001