

# SC series

## Precision Counting Scales

- 10 × 0.002 lb, 25 × 0.005 lb, and 50 × 0.01 lb Versions Available
- 1000 Item Unit Weight Memory
- Easy to Read VFD Displays
- Metric / Pound Convertible



ISO 9001 certified

**CAS**  
S · C · A · L · E

# SC series Precision Counting Scales

## FEATURES

- 5 Digit Unit Weight for Precision Counting
- 1000 Item Memory with Tare Accumulation Feature
- High Internal Resolution(1/ 100,000)
- Easy to Read VFD Displays
- Stainless Steel Platter
- Auto Span Adjustment
- Auto Zero Tracking
- RS-232C Interface

## SPECIFICATIONS

Model	SC - 05P	SC - 10P	SC - 25P
Weighing Capacity	10×0.002 lb 5 kg×1 g	25×0.005 lb 10 kg×2 g	50×0.01 lb 25 kg×5 g
Internal Resolution	1 / 100,000		
Display Digit	Weight / Count / Unit weight (5 / 5 / 5)		
Display Designators	Zero, Tare, g, lb, Lacked Sample Lacked Unit Weight		
Power Source	AC 120V, 60Hz		
Power Consumption	Approx. 7W		
Operating Temperature	- 10°C ~ +40°C (14°F ~ 104°F)		
Platter (inch / mm)	14.6(W) × 10.9(D) / 372(W) × 278(D)		
Dimensions (inch / mm)	15.3(W) × 14.3(D) × 6.4(H) / 388(W) × 364(D) × 163(H)		
Product Weight	15.8 lb / 7.2 kg		

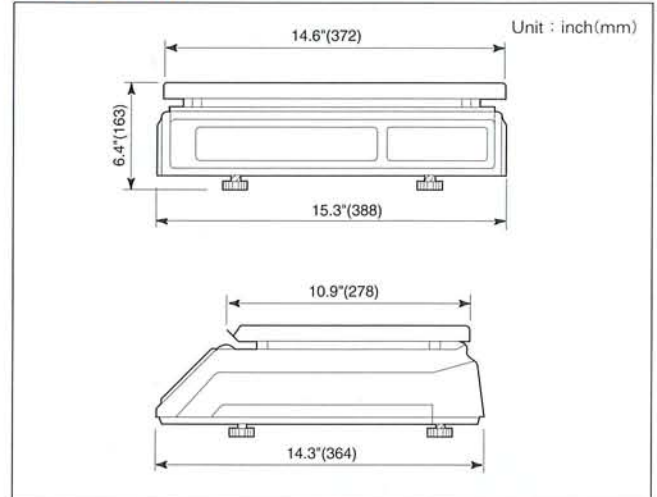
## OPTIONS

- Wet Cover
- RS-232C Cable

## DISPLAY & KEY BOARD



## DIMENSIONS



CAS USA Corporation

**TRANSCAT**

▶ Visit us at [Transcat.com](http://Transcat.com)!

35 Vantage Point Drive // Rochester, NY 14624 // Call 1.800.800.5001