

## Type 1188 Low Pressure Bellows Gauge



- Available in 4½" dial size
- Bellows-actuated mechanism
- Three bellows materials
- Easily adjustable micrometer pointer
- Phenolic case
- All-stainless steel movement

Ashcroft® bellows gauges are used for measuring low pressures from 10" H<sub>2</sub>O to 10 psi pressure as well as vacuum and compound ranges. Coupled with their sensitivity, these gauges have a rugged design for process and industrial applications.

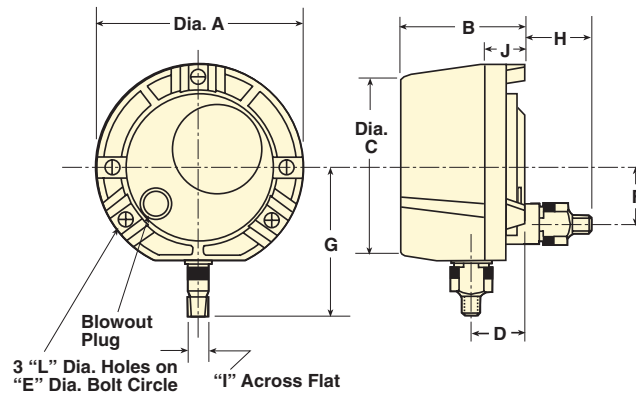
### PRODUCT SPECIFICATIONS

- Model Number:** 1188  
**Accuracy:** 2%-1%-2% ASME Grade A  
**Case Style:** Solid Front (dry only)  
**Case Material:** Phenolic, Black  
**Dial Size:** 4½" (45)  
**Dial Material & Color:** White Aluminum with Black Markings  
**Ring Type:** Polypropylene, Black, Threaded, Reinforced  
**Connection Size:** ¼ NPT, ½ NPT  
**Connection Location:** Lower (L) or Back (B)  
**Range Limits:** 10/IW Vac to 10 psi  
**Mounting:** Stem, Flush & Surface  
**Movement:** 416 SS  
**Pointer:** Micrometer Adjustable  
**Window:** Glass  
**Warranty:** 1 Year

### OPTIONAL FEATURES

- Hermetic Seal:** N/A  
**Flush Mounting Ring:** X56  
**Shatter Proof Glass Window:** XSG  
**Acrylic Window:** XPD

### DIMENSIONS



Dial Size Inches	A	B	C	D	E	F	G	H	I	J	L	Wgt (lbs)
4½	5 <sup>13</sup> / <sub>16</sub> (148)	3 <sup>7</sup> / <sub>16</sub> (87)	5 <sup>1</sup> / <sub>16</sub> (129)	1 <sup>11</sup> / <sub>16</sub> (43)	5 <sup>3</sup> / <sub>8</sub> (137)	1 <sup>1</sup> / <sub>8</sub> (41)	3 <sup>15</sup> / <sub>16</sub> (100)	1½ (38)	5 <sup>5</sup> / <sub>16</sub> (16)	1 <sup>1</sup> / <sub>8</sub> (29)	7 <sup>7</sup> / <sub>32</sub> (5,5)	2.50 (1.1 kg)

### HOW TO ORDER:

- 45 1188 A 02B XXX 10 IW
- Dial size—4½"
  - Case type—1188
  - Tube and socket material—Bronze
  - Connection size—¼ (02)
  - Connection location—Lower (L) Back (B)
  - Optional features—see above
  - Standard pressure range—10 in.H<sub>2</sub>O (see page 2)

## Type 1188 Low Pressure Bellows Gauge

### BOURDON SYSTEM SELECTION<sup>(1)</sup>

Order Code	Bellows & Socket Material	Pressure Range	Vacuum Range	Compound Range	NPT Conn.	Available Case Size and Type
A	Brass	10 in.H <sub>2</sub> O to 10 psi	10 in.H <sub>2</sub> O to 20 in.Hg vac. & 5 psi	5 in.H <sub>2</sub> O vac. & 5 in. 5 in.H <sub>2</sub> O vac. & 10 in.	¼, ½	4½"-1188
S	316 SS	10 in.H <sub>2</sub> O to 10 psi	10 in.H <sub>2</sub> O to 20 in.Hg vac. & 5 psi	5 in.H <sub>2</sub> O vac. & 5 in. 5 in.H <sub>2</sub> O vac. & 10 in.	¼, ½	4½"-1188
P	Monel	10 in.H <sub>2</sub> O to 10 psi	10 in.H <sub>2</sub> O to 20 in.Hg	5 in.H <sub>2</sub> O vac. & 5 in. 5 in.H <sub>2</sub> O vac. & 10 in. Hg vac. & 5 psi	¼, ½	4½"-1188

(1) For selection of the correct Bourdon system material, see the media application table.

### STANDARD RANGES

Double Arc											
Dial Graduations											
Pressure Range		Inner Scale				Outer Scale		Range	Dial Graduations		
Inner Scale	Outer Scale	Dial Arc (degrees)	Figure Interval	Minor Graduation	Figure Interval	Minor Graduation	Compound (Vac./Pres.)	Dial Arc (degrees)	Figure Interval	Minor Graduation	
<b>in. H<sub>2</sub>O</b>	<b>oz/in<sup>2</sup></b>	180	1	0.5	1	0.25	<b>in. H<sub>2</sub>O</b>	180	<b>in. H<sub>2</sub>O</b>	0.2	
0/10	0/6	180	1	0.5	1	0.25	5/0/5	180	1	0.2	
0/15	0/9	180	3	0.5	1	0.25	10/0/10	180	2	0.5	
0/20	0/12	180	2	1	1	0.25	30/0/10	270	5	1	
0/30	0/18	216	5	1	1	0.5	20/0/20	270	5	0.5	
0/40	0/24	270	5	1	3	0.5	40/0/20	270	5	1	
0/60	0/35	270	5	1	5	1	10/0/30	270	5	1	
0/80	0/45	270	10	1	5	1	30/0/30	270	10	1	
0/100	0/57	270	10	1	5	1	70/0/30	270	10	1	
0/150	0/90	270	25	1	10	2	20/0/40	270	10	1	
<b>psi</b>	<b>in. Hg</b>	270	1	0.25	1	0.5	50/0/50	270	10	1	
0/5	0/10	270	1	0.25	1	0.5	<b>in. Hg/psi</b>	<b>in. Hg psi</b>	<b>in. Hg psi</b>	<b>in. Hg psi</b>	
0/8	0/16	270	1	0.25	2	0.5	5/0/3	270	1	0.2	
0/10	0/20	270	1	0.25	2	0.5	2/0/5	270	1	0.1	
							5/0/5	270	1	0.2	
							10/0/5	270	2	0.2	
<b>Vacuum</b>	<b>mmHg</b>										
10/0	18/0	180	1	0.5	5	1					
15/0	28/0	180	3	0.5	3	1					
20/0	37/0	180	2	1	5	1					
30/0	56/0	216	5	1	5	1					
40/0	75/0	270	5	1	10	2					
60/0	110/0	270	5	1	10	2					
80/0	150/0	270	10	1	20	5					
100/0	180/0	270	10	1	20	5					
150/0	270/0	270	25	1	20	5					
<b>in. Hg</b>	<b>ft. H<sub>2</sub>O</b>										
10/0	11/0	270	1	0.5	1	5					
15/0	17/0	270	1	0.5	2	5					
20/0	23/0	270	2	0.5	2	1					

### STANDARD METRIC RANGES

Dial Arc (degrees)	Range	Dial Graduation		Range	Dual Graduations		Range	Dial Graduations		Outer Scale When Dual Range Specified in. H <sub>2</sub> O
		Figure Interval	Minor Grad.		Figure Interval	Minor Grad.		Figure Interval	Minor Grad.	
	<b>mm H<sub>2</sub>O</b>			<b>mbar (millibar)</b>			<b>kPa (kilopascal)</b>			
	<b>Pressure</b>									
180	0/250	50	2	0/25	5	0.2	0/0/2.5	0.5	0.02	0/10
180	0/400	50	5	0/40	5	0.5	0/4	0.5	0.05	0/16
220	0/600	50	5	0/60	5	0.5	0/6	0.5	0.05	0/24
270	0/1000	100	10	0/100	10	1	0/10	1	0.1	0/40
270	0/1600	200	20	0/160	20	2	0/16	2	0.2	0/60
270	0/2500	500	20	0/250	50	2	0/25	5	0.2	0/100
270	0/4000	500	50	0/400	50	5	0/40	5	0.5	0/160
270	0/6000	500	50	0/600	50	5	0/60	5	0.5	0/240
	<b>Vacuum</b>									
180	-250/0	50	2	-25/0	5	0.2	-25/0	0.5	0.02	0/10
180	-400/0	50	5	-40/0	5	0.5	-4/0	0.5	0.05	0/16
220	-600/0	50	5	-60/0	5	0.5	-6/0	0.5	0.05	0/24
270	-1000/0	100	10	-100/0	10	1	-10/0	1	0.1	0/40
270	-1600/0	200	20	-160/0	20	2	-16/0	2	0.2	0/60
270	-2500/0	500	20	-250/0	50	2	-25/0	5	0.2	0/100
270	-4000/0	500	50	-400/0	50	5	-40/0	5	0.5	0/160
270	-6000/0	500	50	-600/0	50	5	-60/0	5	0.5	0/240
	<b>Vacuum</b>									
180	-125/0/125	50	2	-12.5/0/12.5	5	0.2	-1.25/0/1.25	0.5	0.02	5/0/5
180	-200/0/200	50	5	-20/0/20	5	0.5	-2/0/2	0.5	0.05	8/0/8
220	-300/0/300	50	5	-30/0/30	5	0.5	-3/0/3	0.5	0.05	12/0/12
270	-500/0/500	100	10	-50/0/50	10	1	-5/0/5	1	0.1	20/0/20
270	-800/0/800	200	20	-80/0/80	20	2	-8/0/8	2	0.2	30/0/30
270	-1250/0/1250	500	20	-125/0/125	50	2	-12.5/0/12.5	5	0.2	50/0/50
270	-2000/0/2000	500	50	-200/0/200	50	5	-20/0/20	5	0.5	80/0/80
270	-3000/0/3000	500	50	-300/0/300	50	5	-30/0/30	5	0.5	120/0/120

▶ Visit us at [Transcat.com](http://Transcat.com)!

35 Vantage Point Drive Rochester, NY 14624  
Call 1.800.800.5001

**ISO 9001**  
REGISTERED FIRM  
BULLETIN IG-1188

All specifications are subject to change without notice.  
All sales subject to standard terms and conditions.  
© 2012 Ashcroft Inc. Rev. 10/12