

Type 1133 – 3½", 4", 4½" & 6" Differential Gauge



- Large convoluted diaphragm actuator
- Stainless steel case
- Ranges from 1 IWD-25 IWD
- Static pressures up to 500 psi
- Aluminum⁽²⁾ and stainless steel bodies⁽³⁾
- Buna-N seals (others available)
- Superior magnets for smoother power motion
- Standard switches available
- 5-year warranty

The Type 1133 uses a convoluted-diaphragm to sense low inches of water differentials while ensuring no migration of the process media. Maximum static pressures for ranges of 5 IWD and below is 45 psi and 500 psi for all other ranges.

NOTES:

- (1) Other wetted parts include stainless steel spring, Teflon piston and ceramic magnet.
- (2) Aluminum bodies not to be used with water or corrosive applications.
- (3) Not for use with incompatible media.

PRODUCT SPECIFICATIONS

Model Number:	1133
Accuracy (Ascending):	±2%
Migration:	Zero
Ranges:	0-1 IWD to 25 IWD
Maximum Static Pressure:	500 psi (all)
Process Temp.:	175°F/80°C
Actuator:	Convoluted diaphragm
Case Material:	Stainless steel
Dial Size:	3½" (35), 4" (40), 4½" (45), 6" (60)
Maximum Process Temp.:	175°F/80°C
Body Materials:	Aluminum (F), stainless steel (S)
O-Rings/Diaphragm:	Buna-N
Connection Size (Female):	¼ NPT (25)
Connection Location:	In-Line (S), Lower (L), Back (B)
Window:	Glass

PRODUCT OPTIONS

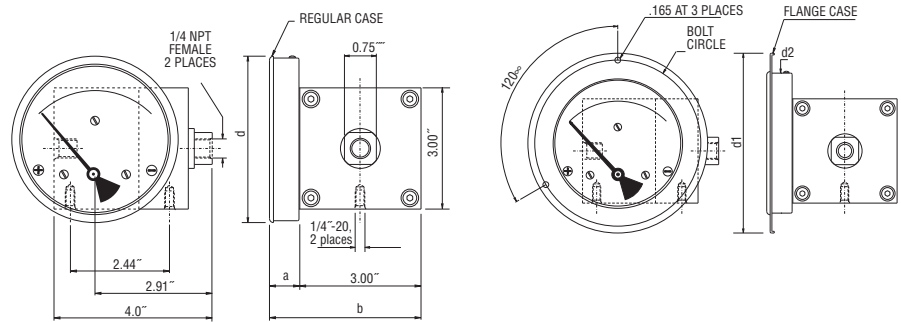
Switches⁽¹⁾:	Available
¼ NPTF adaptor:	XGE Available
Front Flange:	XFF Available
Viton O-Rings:	XVD Available
EPDM O-Rings:	XEM Available
Fill:	
Glycerin	L N/A
Silicone	XGV N/A
Window:	
Plastic	XPD Available
Explosion Proof⁽²⁾:	XEK N/A
Pipe Mounting Bracket:	XTM In-line (only)

- (1) Applicable to switches:
 XV1 – 1 SPST with DIN plug
 XV3 – 2 SPST with DIN plug
 XV5 – 1 SPDT with DIN plug
 XV7 – 2 SPDT with DIN plug
 Adjustable from 30-100% of range
 Switches are not available with back connection.
- (2) Specify lower or back connection for gauge (not available in-line).

HOW TO ORDER:

	35	1133	FD	25S	XXX	10 IWD
Dial Size: 3½", 4", 4½" & 6"	_____	_____	_____	_____	_____	_____
Case Type Number: 1133	_____	_____	_____	_____	_____	_____
Body Material	_____	_____	_____	_____	_____	_____
Connection Size: ¼ NPT (25)	_____	_____	_____	_____	_____	_____
Connection Location: In-line (S), Lower (L), Back (B)	_____	_____	_____	_____	_____	_____
Optional Features:	_____	_____	_____	_____	_____	_____
Standard Pressure Range	_____	_____	_____	_____	_____	_____

Type 1133 – 3½", 4", 4½" & 6" Differential Gauge



Type 1133 Dimension Drawing

Dial Size	a	b	d	d ¹	d ²	Bolt Circle
3.5"	0.75"	3.75"	3.25"	4.29"	3.22"	3.90"
4"	0.75"	3.75"	4.10"	5.15"	4.01"	4.75"
4.5"	0.75"	3.75"	4.75"	5.74"	4.60"	5.40"
6"	0.75"	3.75"	6.07"	7.12"	6.00"	6.75"

Type 1133 – Standard Ranges

in. H ₂ O	0-1	0-2	0-5	0-10	0-25
mmH ₂ O	0-25	0-50	0-125	0-250	0-600

Ratings for Standard Switches:

SPST SWITCH

Specifications:

Contact Rating
10 VA ac (rms) or dc (max)
Switching Current
0.5 Amp ac (rms) or dc (max)
Switch Voltage
100 Vac/Vdc (max)

SPDT SWITCH

Specifications:

Contact Rating
3 VA ac (rms) or dc (max)
Switching Current
0.3 Amp ac (rms) or dc (max)
Switch Voltage
30 Vac/Vdc (max)