

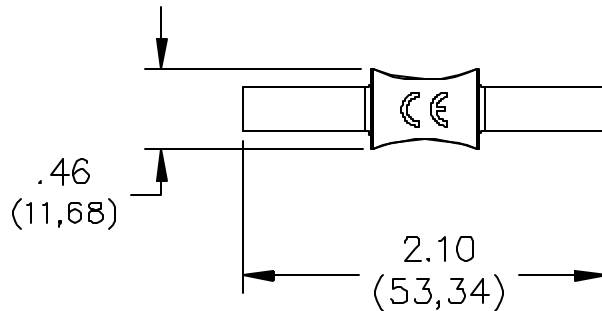
Pomona®

TRANSCAT

▶ Visit us at [Transcat.com!](http://Transcat.com)

35 Vantage Point Drive Rochester, NY 14624
Call 1.800.800.5001

Model 6252 IEC1010 Compliant Test Lead Coupler



FEATURES:

- Interfaces to safety style sheathed 4 mm plugs.
- Provides a fast and easy method to splice two cables together to increase cable length.
- Complies to IEC 1010-2-031, which is the latest international safety standard for test accessories.
- For added safety, the insulation material is Polypropylene, Fire Retardant – UL94 V-2 rated.
- Mates to Pomona's Models 5907A, 5908A and 5909A flexible test leads.

MATERIALS:

Tubing: Brass, Nickel Plated

Insulation: Polypropylene, Color: One black and one red

RATINGS:

IEC 1010 2-031, Category III, P2 Compliant

Operating Temperature: 80°C (176°F) Max.

Operating Voltage: 1,000 VRMS/DC Max.

Current: 10 Amperes Max.

ORDERING INFORMATION: Model 6252

(Set of one black and one red)

Couplers are also included in many Pomona DMM Test Kits.

All dimensions are in inches. Tolerances (except noted): .xx = ±.02" (.51 mm), .xxx = ±.005" (.127 mm).

All specifications are to the latest revisions. Specifications are subject to change without notice.

Registered trademarks are the property of their respective companies. Made in USA

TRANSCAT®

▶ Visit us at [Transcat.com!](http://Transcat.com)

35 Vantage Point Drive // Rochester, NY 14624 // Call 1.800.800.5001