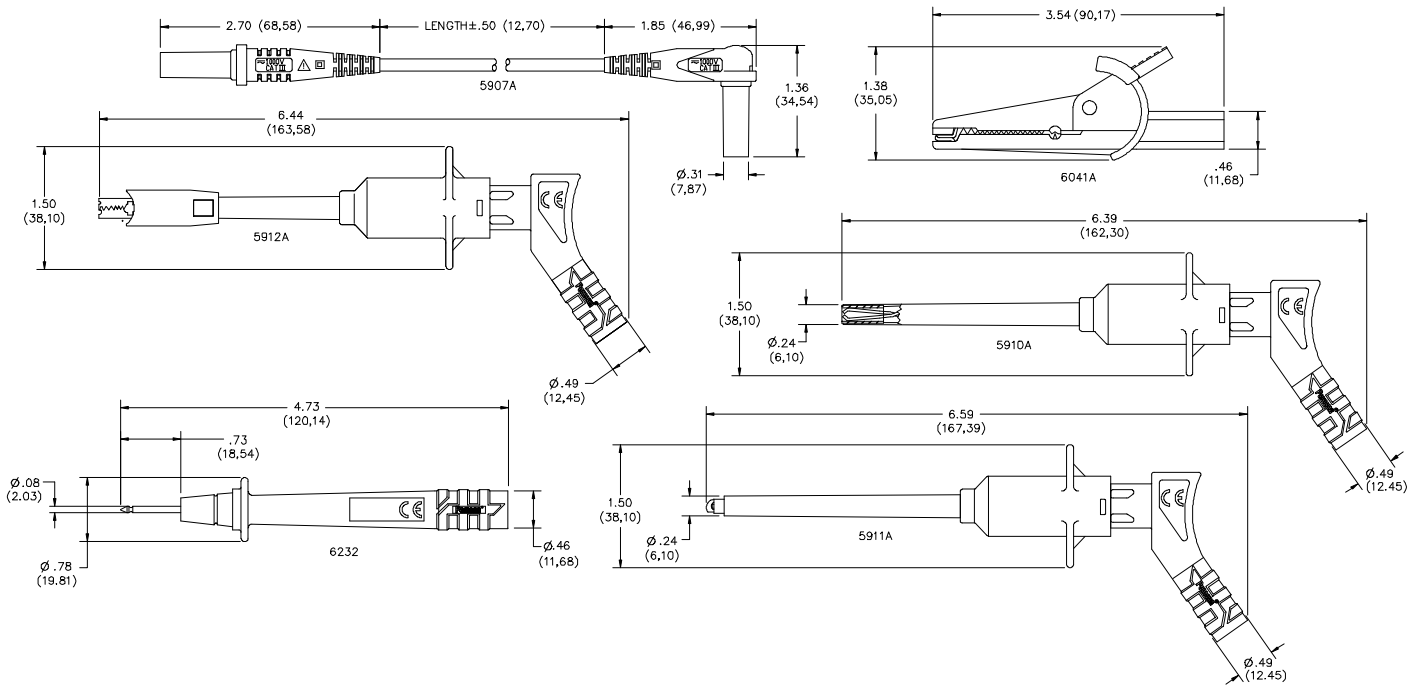


Pomona®

Model 5904 Deluxe Electrical DMM Test Lead Kit



FEATURES:

- Complies with IEC1010-2-031 standard for hand held test accessories.
- Probes, Alligators and Grabbers fit directly onto the test leads for test versatility.
- Right angle Banana Plug on test leads is ideal for hand held digital multimeters.
- Compatible with most Fluke, Amprobe, H.P., Tektronix and Wavetek digital multimeters.
- Test accessories conveniently store in the tri-fold nylon pouch provided.

MATERIALS:

Model 5907A: Test Lead Straight to Right Angle: Banana Spring: Nickel plated beryllium copper, Insulation–Polypropylene, Wire: 48" silicone 18" AWG, Color: One Black, One Red, **RATINGS:** CAT III 1000V, 10 Amperes

Model 5912A: Maxigrabber Alligator Clip - **RATINGS:** CAT III 1000V, 10 Amperes

Model 6232: Test Probe: Insulation – Nylon 6, Probe tip – Brass, nickel plated, 4mm safety jack: brass, nickel plated, Color: One Black, One Red, **RATINGS:** CAT III 1000V, 10 Amperes

Model 6041A: Ex-Large Alligator Clip: Body–Steel, Nickel plated, Insulation–Nylon, Torsion spring-music wire, Color: One Black, One Red, **RATINGS:** CAT III 1000V, 10 Amperes

All dimensions are in inches. Tolerances (except noted): .xx = ±.02" (.51 mm), .xxx = ±.005" (.127 mm). All specifications are to the latest revisions. Specifications are subject to change without notice. Registered trademarks are the property of their respective companies.

Made in USA

Pomona®

Model 5904 Deluxe Electrical DMM Test Lead Kit

Model **5910A**: Maxigrabber set with Pincer Tip - **RATINGS**: CAT III 1000V, 10 Amperes

Model **5911A**: Maxigrabber set with Hook Tip - **RATINGS**: CAT III 1000V, 10 Amperes

ORDERING INFORMATION: 5904 (Includes a kit of items from above)

Replacement P/N's: Model **5907A**: Test Lead Straight to Right Angle, Model **5912A**: Maxigrabber set with Hook Tip, Model **6232**: Test Probe, Model **6041B**: Ex-Large Alligator Clip, Model **5910A**: Maxigrabber set with Pincer Tip, Model **5911A**: Maxigrabber set with Hook Tip.

TRANSCAT®

[▶ Visit us at Transcat.com!](http://Transcat.com)

35 Vantage Point Drive // Rochester, NY 14624 // Call 1.800.800.5001

All dimensions are in inches. Tolerances (except noted): .xx = ±.02" (.51 mm), .xxx = ±.005" (.127 mm).

All specifications are to the latest revisions. Specifications are subject to change without notice.

Registered trademarks are the property of their respective companies.

Made in USA

TRANSCAT