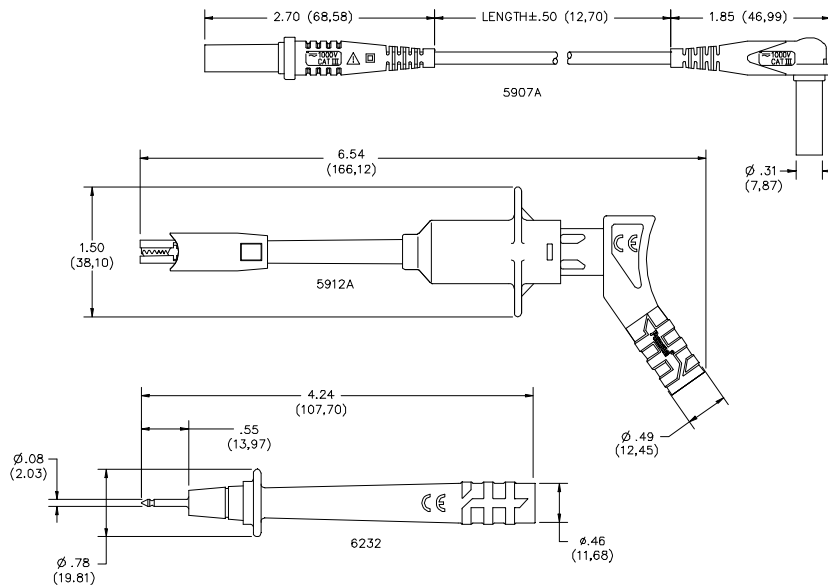


**Model 5900
Industrial Test Lead Kit**



FEATURES:

- Complies with IEC1010-2-031 standard for hand held test accessories.
- Probes and Maxigrabbers fit directly onto test leads for test versatility.
- Right angle Banana Plug on test leads are ideal for hand held digital multimeters.
- Compatible with most Fluke, Amprobe, H.P., Tektronix and Wavetek digital multimeters.
- Test accessories conveniently store in the tri-fold nylon pouch provided.

MATERIALS:

Model **5907A**: Test Lead Straight to Right Angle: Banana Spring: Nickel plated beryllium copper, Insulation– Polypropylene, Wire: 48" silicone 18" AWG, Color: One Black, One Red, **RATINGS**: CAT III 1000V, 10 Amperes

Model **5912A**: Maxigrabber Alligator Clip - **RATINGS**: CAT III 1000V, 10 Amperes

Model **6232**: Test Probe: Insulation – Nylon 6, Probe tip – Brass, nickel plated, 4mm safety jack: brass, nickel plated, Color: One Black, One Red, **RATINGS**: CAT III 1000V, 10 Amperes

ORDERING INFORMATION: **5900** Includes a kit of items from above) Replacement P/N's: Model **5907A**: Test Lead Straight to Right Angle, Model **5912A**: Maxigrabber Alligator Clip, Model **6232**: Test Probe.

All dimensions are in inches. Tolerances (except noted): .xx = ±.02" (.51 mm), .xxx = ± .005" (.127 mm). All specifications are to the latest revisions. Specifications are subject to change without notice. Registered trademarks are the property of their respective companies.

Made in USA