

Series  
DH3

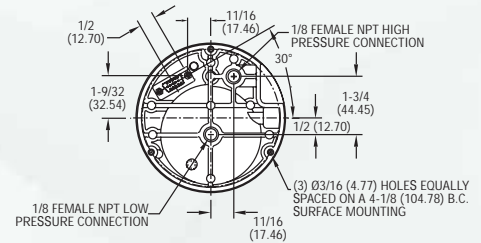
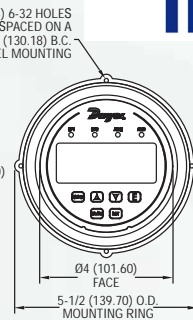
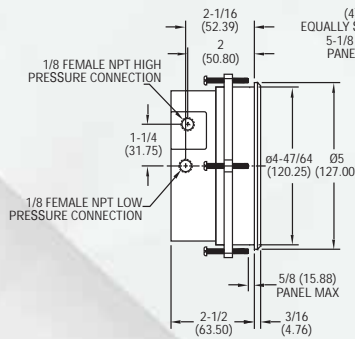
# Digihelic® Differential Pressure Controller

Digihelic® Controller in Photohelic® Gage, Square Root Output for Flow



**TRANSCAT**

Visit us at [Transcat.com!](http://Transcat.com!)  
35 Vantage Point Drive // Rochester, NY 14624 // Call 1.800.800.5001



Pressure Switches

The Series DH3 Digihelic® Differential Pressure Controller is a 3 in 1 instrument possessing a digital display gage, control relay switches, and a transmitter with current output all packed in the popular Photohelic® gage style housing. Combining these 3 features allows the reduction of several instruments with one product, saving inventory, installation time and money. The Digihelic® controller is the ideal instrument for pressure, velocity and flow applications, achieving a 1% full scale accuracy on ranges down to the extremely low 0.25" w.c. to 2.5" w.c. full scale. Ranges of 5" w.c. and greater maintain 0.5% F.S. accuracy. Bi-directional ranges are also available.

The Series DH3 Digihelic® controller allows the selection of pressure, velocity or volumetric flow operation in several commonly used engineering units. 2 SPDT control relays with adjustable deadbands are provided along with a scalable 4-20 mA process output.

Programming is easy using the menu key to access 5 simplified menus which provide access to: security level; selection of pressure, velocity or flow operation; selection of engineering units; K-factor for use with flow sensors; rectangular or circular duct for inputting area in flow applications; set point control or set point and alarm operation; alarm operation as a high, low or high/low alarm; automatic or manual alarm reset; alarm delay; view peak and valley process reading; digital dampening for smoothing erratic process applications; scaling the 4-20 mA process output to fit your applications range and field calibration. See applications below for some popular uses.

#### APPLICATIONS

- Dust collection bag filters
- SCFM flow in ducts
- Filter status
- Static pressures in ducts or buildings
- Damper control
- Fan control

#### SPECIFICATIONS

**Service:** Air and non-combustible, compatible gases.

**Wetted Materials:** Consult factory.

**Housing Material:** Die cast aluminum case and bezel.

**Accuracy:** < 5" w.c. (except ±2.5" w.c.): ±1%; All other ranges: ±0.5% at 77°F (25°C) including hysteresis and repeatability (after 1 hour warm-up).

**Stability:** < ±1% per year.

**Pressure Limits:** Ranges ≤ 2.5" w.c.: 25 psi; ±2.5", 5" w.c.: 5 psi; 10" w.c.: 5 psi; 25" w.c.: 5 psi; 50" w.c.: 5 psi; 100" w.c.: 9 psi.

**Temperature Limits:** 32 to 140°F (0 to 60°C).

**Compensated Temperature Limits:** 32 to 140°F (0 to 60°C).

**Thermal Effects:** 0.020%/°F (0.036/°C) from 77°F (25°C).

**Power Requirements:** 12-24 VAC/VDC.

**Power Consumption:** 3 VA max.

**Output Signal:** 4-20 mA DC into 900 ohms max.

**Zero & Span Adjustments:** Accessible via menus.

**Response Time:** 250 ms (dampening set to 1).

**Display:** Backlit 4 digit LCD 0.4" height LED indicators for set point and alarm status.

**Electrical Connections:** 15 pin male high density D-Sub connection. 18' (46 cm) cable with 10 conductors included.

**Process Connections:** 1/8" female NPT. Side or back connections.

**Mounting Orientation:** Mount unit in vertical plane.

**Size:** 5" (127 mm) O.D. x 3-1/8" (79.38 mm).

**Weight:** 1.75 lbs. (794 g).

**Agency Approvals:** CE.

#### SWITCH SPECIFICATIONS

**Switch Type:** 2 SPDT relays.

**Electrical Rating:** 1 amp @ 30 VAC/VDC.

**Set Point Adjustment:** Adjustable via keypad on face.

Model	Ranges
DH3-002	0-0.25" w.c.
DH3-003	0-0.5" w.c.
DH3-004	0-1" w.c.
DH3-005	0-2.5" w.c.
DH3-006	0-5" w.c.
DH3-007	0-10" w.c.
DH3-009	0-25" w.c.
DH3-010	0-50" w.c.
DH3-011	0-100" w.c.
DH3-013	0.25-0-0.25" w.c.
DH3-014	0.5-0-0.5" w.c.
DH3-015	1-0-1" w.c.
DH3-016	2.5-0-2.5" w.c.
DH3-017	5-0-5" w.c.
DH3-018	10-0-10" w.c.

#### ACCESSORIES

**A-298 Flat Aluminum Bracket,** for flush mounting.

**A-370 Mounting Bracket,** flush mount bracket. Bracket is then surface mounted. Steel with gray hammertone epoxy finish.

**TRANSCAT**

Visit us at [Transcat.com!](http://Transcat.com!)

35 Vantage Point Drive // Rochester, NY 14624 // Call 1.800.800.5001